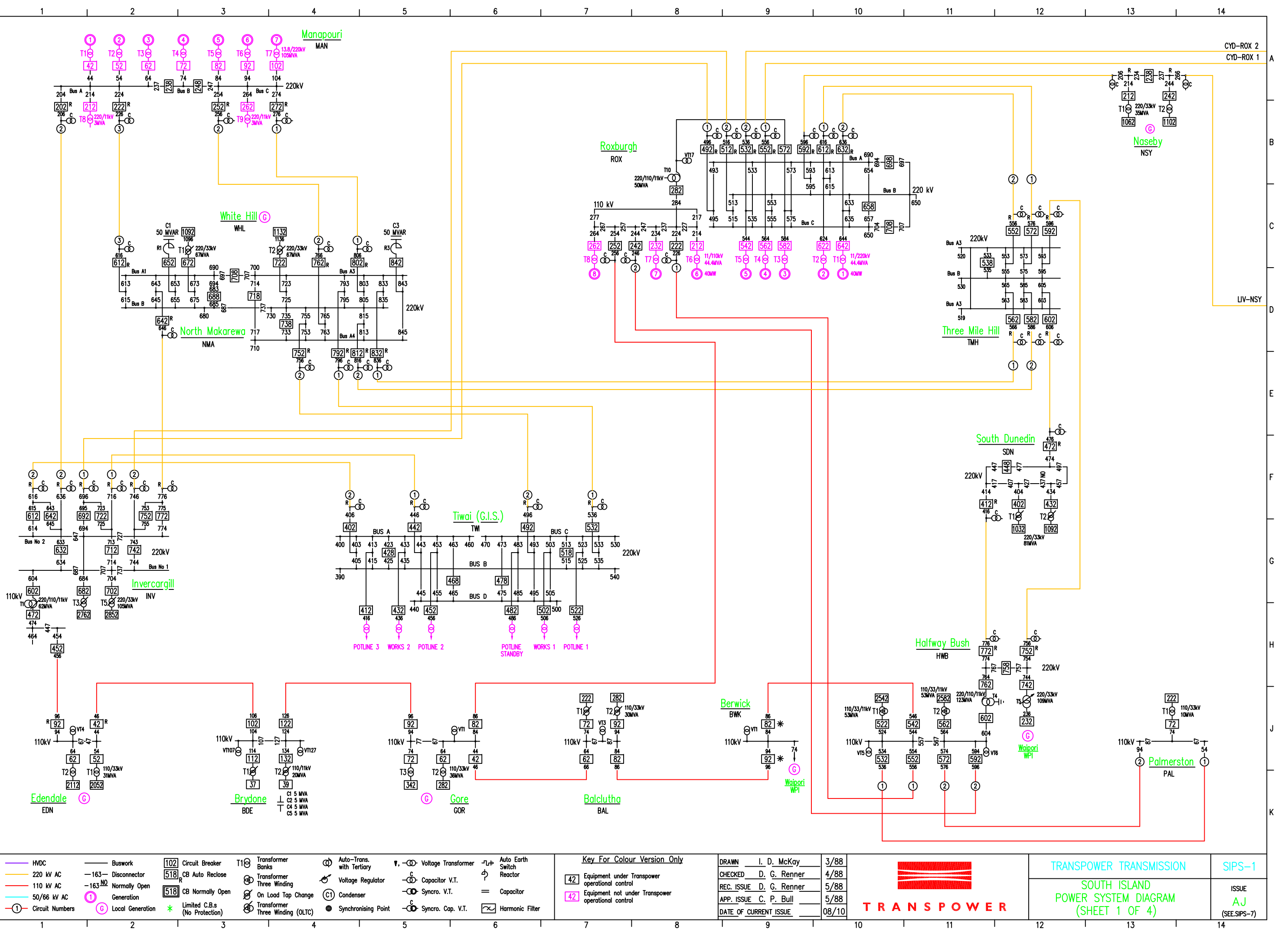


COPYRIGHT © TRANSPOWER NEW ZEALAND LIMITED 1993 (Note: The year stated would be the year that the drawing was produced. Under Copyright Law, any Copyright expires after 50 years from this date.)
 ALL RIGHTS RESERVED
 UNAUTHORISED REPRODUCTION PROHIBITED
 ISSUE A2
 AP. C

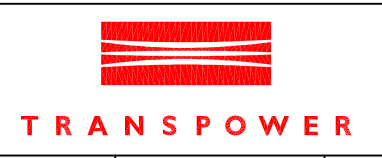


— HVDC	— Buswork	102 Circuit Breaker	T1 Transformer Banks	Auto-Trans. with Tertiary	V Voltage Transformer	Auto Earth Switch Reactor
— 220 kV AC	— 163 — Disconnector	518 CB Auto Reclose	Transformer Three Winding	Voltage Regulator	Capacitor V.T.	Capacitor
— 110 kV AC	— 163 NO Normally Open	518 CB Normally Open	On Load Tap Change	Condenser	Syncro. V.T.	Harmonic Filter
— 50/66 kV AC	⊕ Generation	* Limited C.B.s (No Protection)	Transformer Three Winding (OLTC)	● Synchronising Point	— Syncro. Cap. V.T.	
① Circuit Numbers	⊙ Local Generation					

Key For Colour Version Only

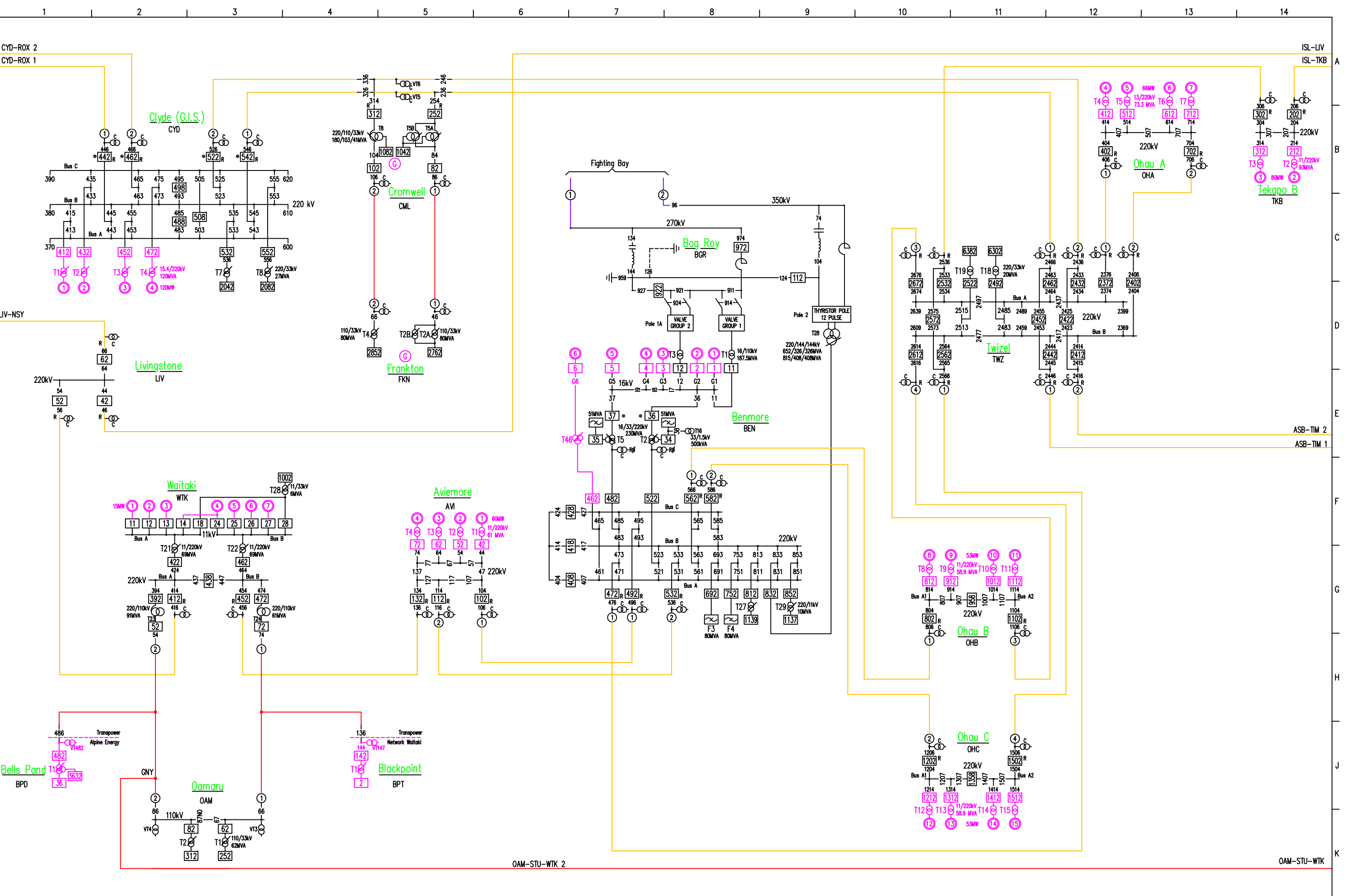
42	Equipment under Transpower operational control
42	Equipment not under Transpower operational control

DRAWN	I. D. McKay	3/88
CHECKED	D. G. Renner	4/88
REC. ISSUE	D. G. Renner	5/88
APP. ISSUE	C. P. Bull	5/88
DATE OF CURRENT ISSUE		08/10



TRANSPOWER TRANSMISSION	SIPS-1
SOUTH ISLAND POWER SYSTEM DIAGRAM (SHEET 1 OF 4)	
ISSUE AJ	(SEE SIPS-7)

COPYRIGHT © TRANSPOWER NEW ZEALAND LIMITED 1993
 UNAUTHORISED REPRODUCTION PROHIBITED
 (Note: The year stated would be the year that the drawing was produced. Under Copyright Law, any Copyright expires after 50 years from this date.)
 ISSUE A2
 AP. C

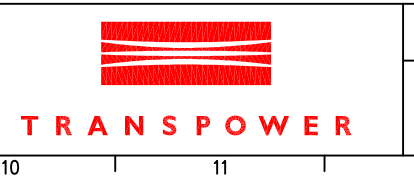


HVDC	Buswork	102 Circuit Breaker	T1 Transformer Banks	Auto-Trans. with Tertiary	Voltage Transformer	Auto Earth Switch
220 kV AC	-163- Disconnector	518 CB Auto Reclose	Transformer Three Winding	Voltage Regulator	Capacitor V.T.	Reactor
110 kV AC	-163 NO Normally Open	518 CB Normally Open	On Load Tap Change	Condenser	Syncro. V.T.	Capacitor
50/66 kV AC	Generation	Limited C.B.s (No Protection)	Transformer Three Winding (OLTC)	Synchronising Point	Syncro. Cap. V.T.	Harmonic Filter
1 Circuit Numbers	Local Generation					

Key For Colour Version Only

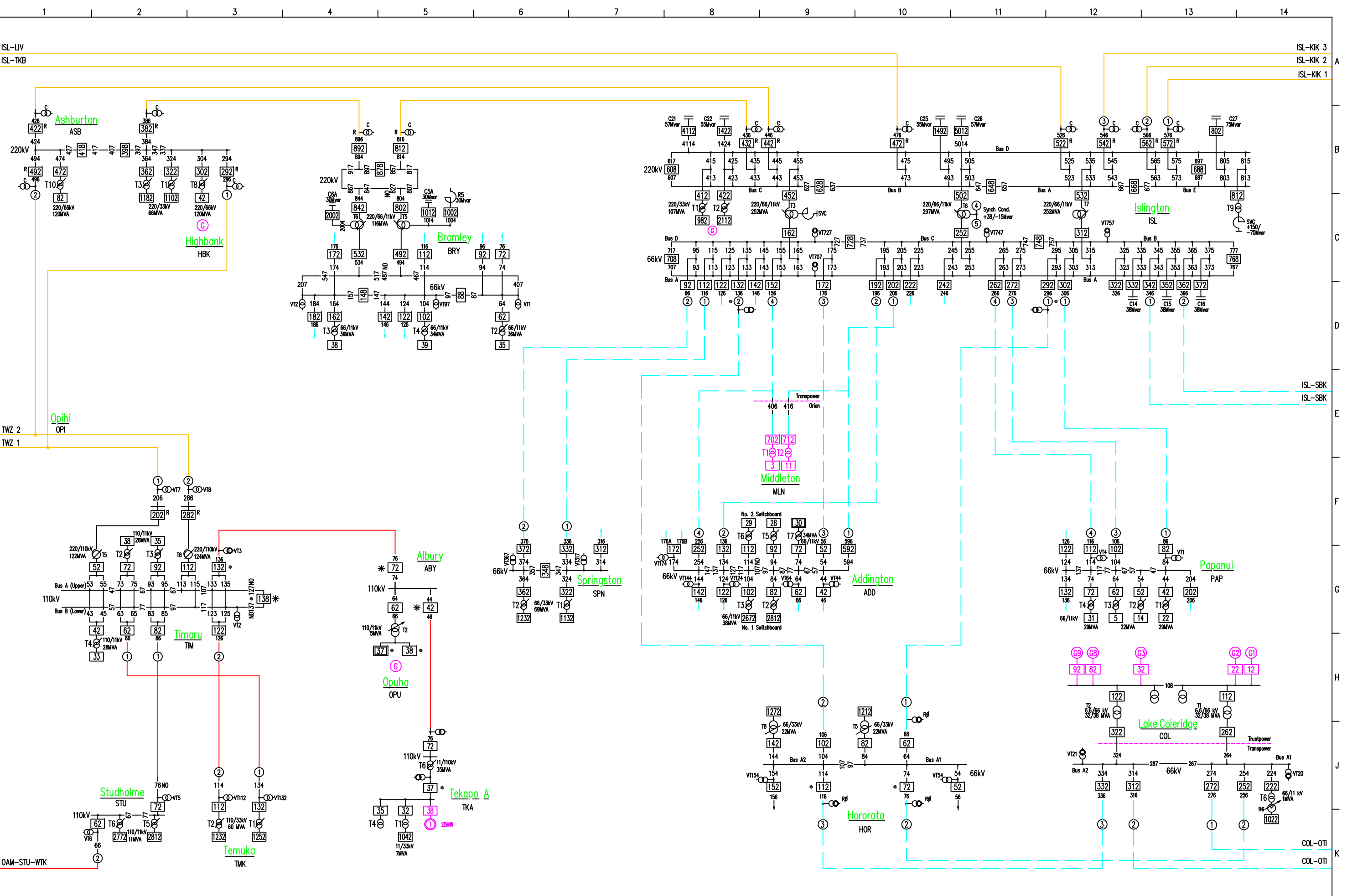
42	Equipment under Transpower operational control
42	Equipment not under Transpower operational control

DRAWN	I. D. McKay	3/88
CHECKED	D. G. Renner	4/88
REC. ISSUE	D. G. Renner	5/88
APP. ISSUE	C. P. Bull	5/88
DATE OF CURRENT ISSUE		08/10



TRANSPOWER TRANSMISSION	SIPS-2
SOUTH ISLAND POWER SYSTEM DIAGRAM (SHEET 2 OF 4)	
ISSUE AJ	(SEE SIPS-7)

COPYRIGHT © TRANSPOWER NEW ZEALAND LIMITED 1993
 (Note: The year stated would be the year that the drawing was produced. Under Copyright Law, any Copyright expires after 50 years from this date.)
 ALL RIGHTS RESERVED
 UNAUTHORISED REPRODUCTION PROHIBITED
 ISSUE A2
 AP. C

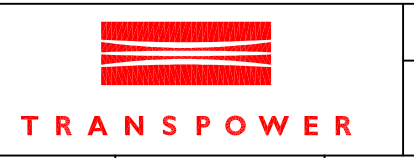


HVDC	Buswork	102 Circuit Breaker	T1 Transformer Banks	Auto-Trans. with Tertiary	V Voltage Transformer	Auto Earth Switch Reactor
220 kV AC	163 Disconnector	518 CB Auto Reclose	Transformer Three Winding	Voltage Regulator	Capacitor V.T.	Capacitor
110 kV AC	163 NO Normally Open	518 CB Normally Open	On Load Tap Change	Condenser	Synchro. V.T.	Synchronising Point
50/66 kV AC	Generation	Limited C.B.s. (No Protection)	Transformer Three Winding (OLTC)	Synchro. Cap. V.T.	Harmonic Filter	
1 Circuit Numbers	Local Generation					

Key For Colour Version Only

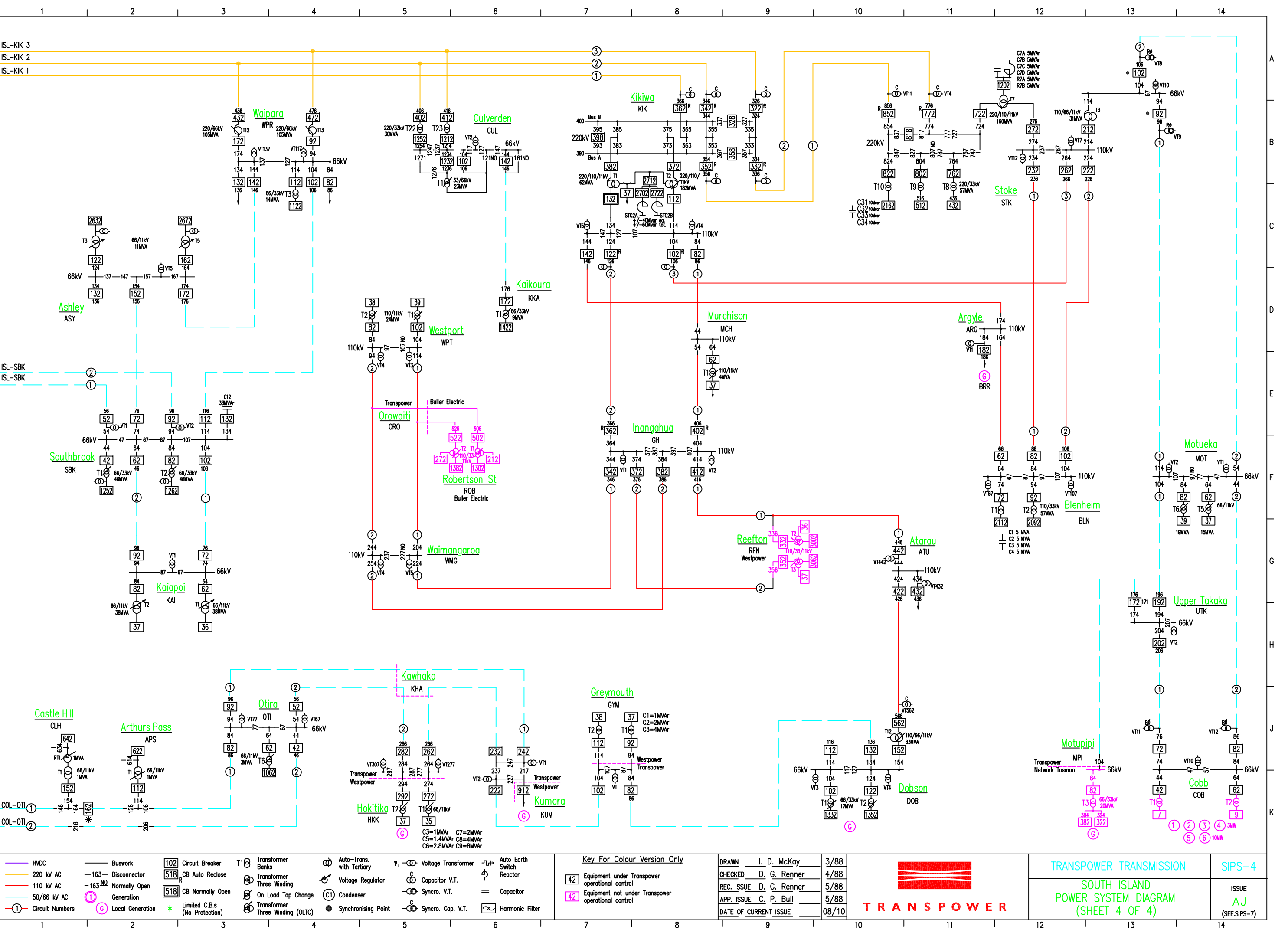
Equipment under Transpower operational control
Equipment not under Transpower operational control

DRAWN	I. D. McKay	3/88
CHECKED	D. G. Renner	4/88
REC. ISSUE	D. G. Renner	5/88
APP. ISSUE	C. P. Bull	5/88
DATE OF CURRENT ISSUE		08/10



TRANSPOWER TRANSMISSION	SIPS-3
SOUTH ISLAND POWER SYSTEM DIAGRAM (SHEET 3 OF 4)	
ISSUE AJ (SEE SIPS-7)	

COPYRIGHT © TRANSPOWER NEW ZEALAND LIMITED 1993 (Note: The year stated would be the year that the drawing was produced. Under Copyright Law, any Copyright expires after 50 years from this date.)
 ALL RIGHTS RESERVED
 UNAUTHORISED REPRODUCTION PROHIBITED
 ISSUE A2
 AP. C

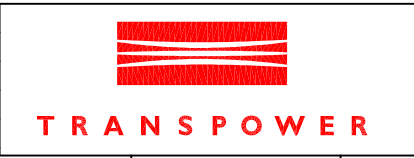


HVDC	Buswork	102 Circuit Breaker	T1 Transformer Banks	Auto-Trans. with Tertiary	Voltage Transformer	Auto Earth Switch
220 kV AC	-163- Disconnector	518 CB Auto Reclose	Transformer Three Winding	Voltage Regulator	Capacitor V.T.	Reactor
110 kV AC	-163- Normally Open	518 CB Normally Open	On Load Tap Change	Condenser	Syncro. V.T.	Capacitor
50/66 kV AC	1 Generation	Limited C.B.s (No Protection)	Transformer Three Winding (OLTC)	Synchronising Point	Syncro. Cap. V.T.	Harmonic Filter

Key For Colour Version Only

42	Equipment under Transpower operational control
42	Equipment not under Transpower operational control

DRAWN	I. D. McKay	3/88
CHECKED	D. G. Renner	4/88
REC. ISSUE	D. G. Renner	5/88
APP. ISSUE	C. P. Bull	5/88
DATE OF CURRENT ISSUE		08/10



TRANSPOWER TRANSMISSION		SIPS-4
SOUTH ISLAND POWER SYSTEM DIAGRAM (SHEET 4 OF 4)		ISSUE AJ (SEE SIPS-7)