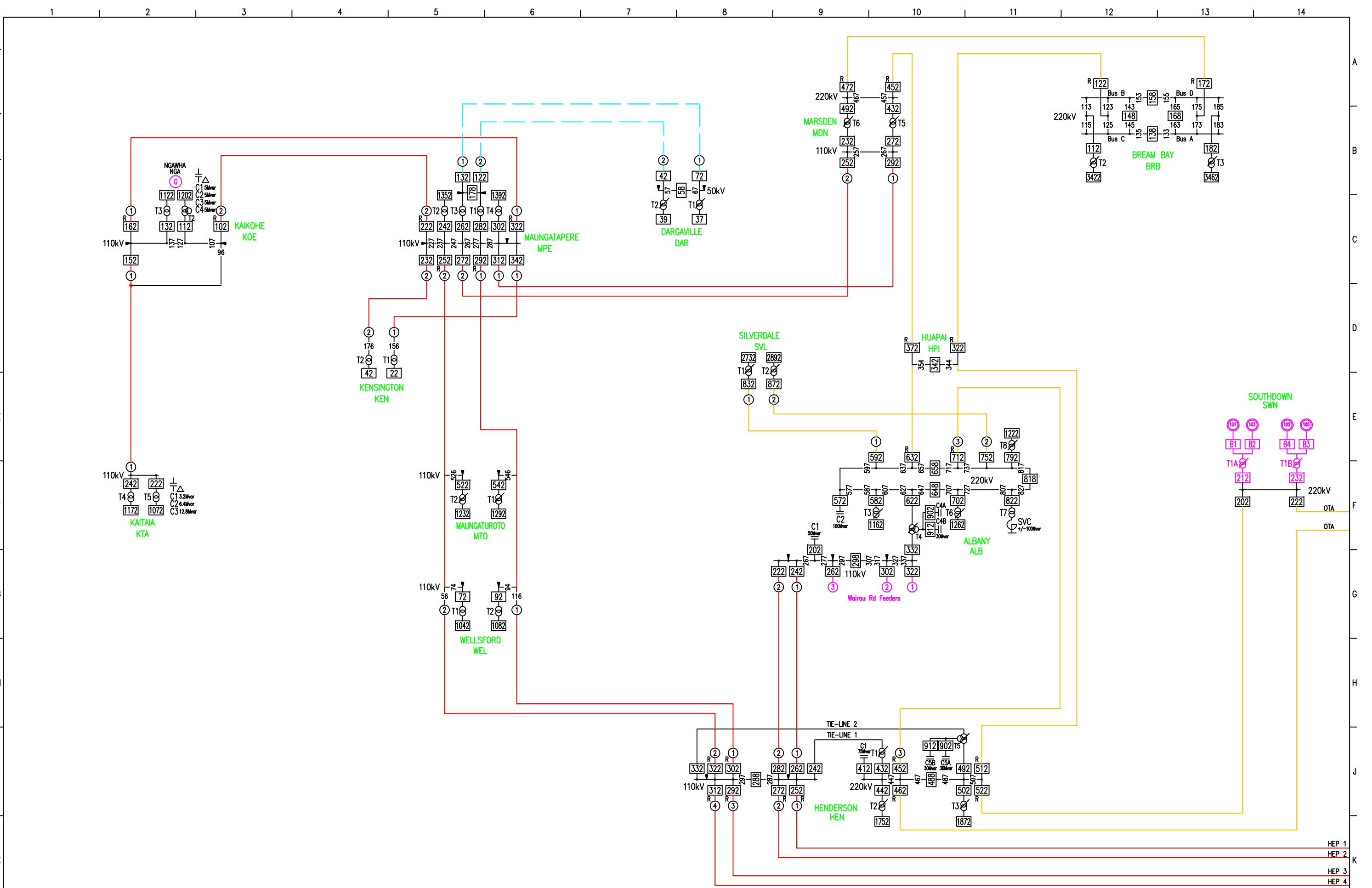


COPYRIGHT © TRANS POWER NEW ZEALAND LIMITED 1993 (Note: The year stated would be the year that the drawing was produced. Under Copyright Law, any Copyright expires after 50 years from this date.) UNAUTHORISED REPRODUCTION PROHIBITED

Z	
Y	
X	
W	
V	
U	
T	
S	
R	
Q	
P	
N	
M	
L	
K	
J	
H	
G	
F	
E	
D	
C	
B	
A	
ISSUE	
AP. C.	

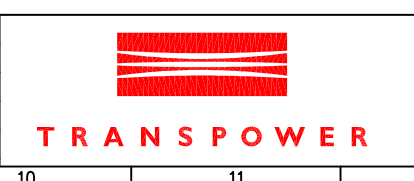


HVDC	Buswork	102 Circuit Breaker	T1 Transformer Banks	Auto-Trans. with Tertiary	Voltage Transformer	Auto Earth Switch Reactor
220 kV AC	163 Disconnector	518 CB Auto Reclose	Transformer Three Winding	Voltage Regulator	Capacitor V.T.	Capacitor
110 kV AC	163 Normally Open	518 CB Normally Open	On Load Tap Change	Condenser	Synchro. V.T.	Harmonic Filter
50/66 kV AC	Generation	Limited C.B.s (No Protection)	Transformer Three Winding (OLTC)	Synchronising Point	Synchro. Cap. V.T.	
1 Circuit Numbers	Local Generation					

Key For Colour Version Only

Equipment under Transpower operational control
Equipment not under Transpower operational control

DRAWN	D Chapman	8/93
CHECKED	M Frater	8/93
REC. ISSUE	S. Mutton	8/93
APP. ISSUE	P. Clark	9/93
DATE OF CURRENT ISSUE		08/10

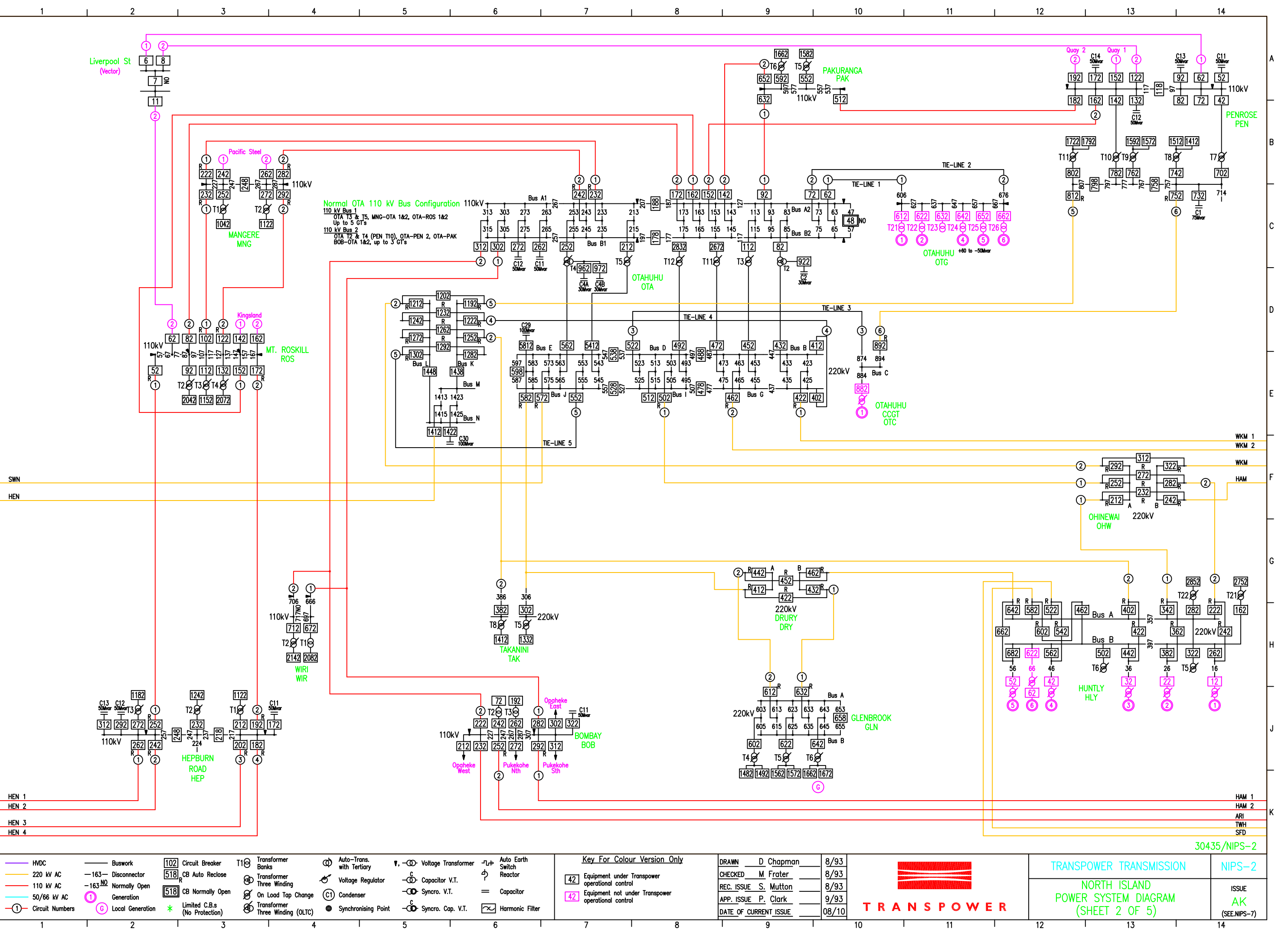


TRANSPOWER TRANSMISSION	NIPS-1
NORTH ISLAND POWER SYSTEM DIAGRAM (SHEET 1 OF 5)	
ISSUE AK (SEE NIPS-7)	

30435/NIPS-1

HEP 1
HEP 2
HEP 3
HEP 4

COPYRIGHT © TRANS POWER NEW ZEALAND LIMITED 1993 (Note: The year stated would be the year that the drawing was produced. Under Copyright Law, any Copyright expires after 50 years from this date.)
 UNAUTHORISED REPRODUCTION PROHIBITED
 ISSUE A2
 AP. C



	Buswork					
	-163- Disconnector					
	-163 NO Normally Open					

Key For Colour Version Only	
	Equipment under Transpower operational control
	Equipment not under Transpower operational control

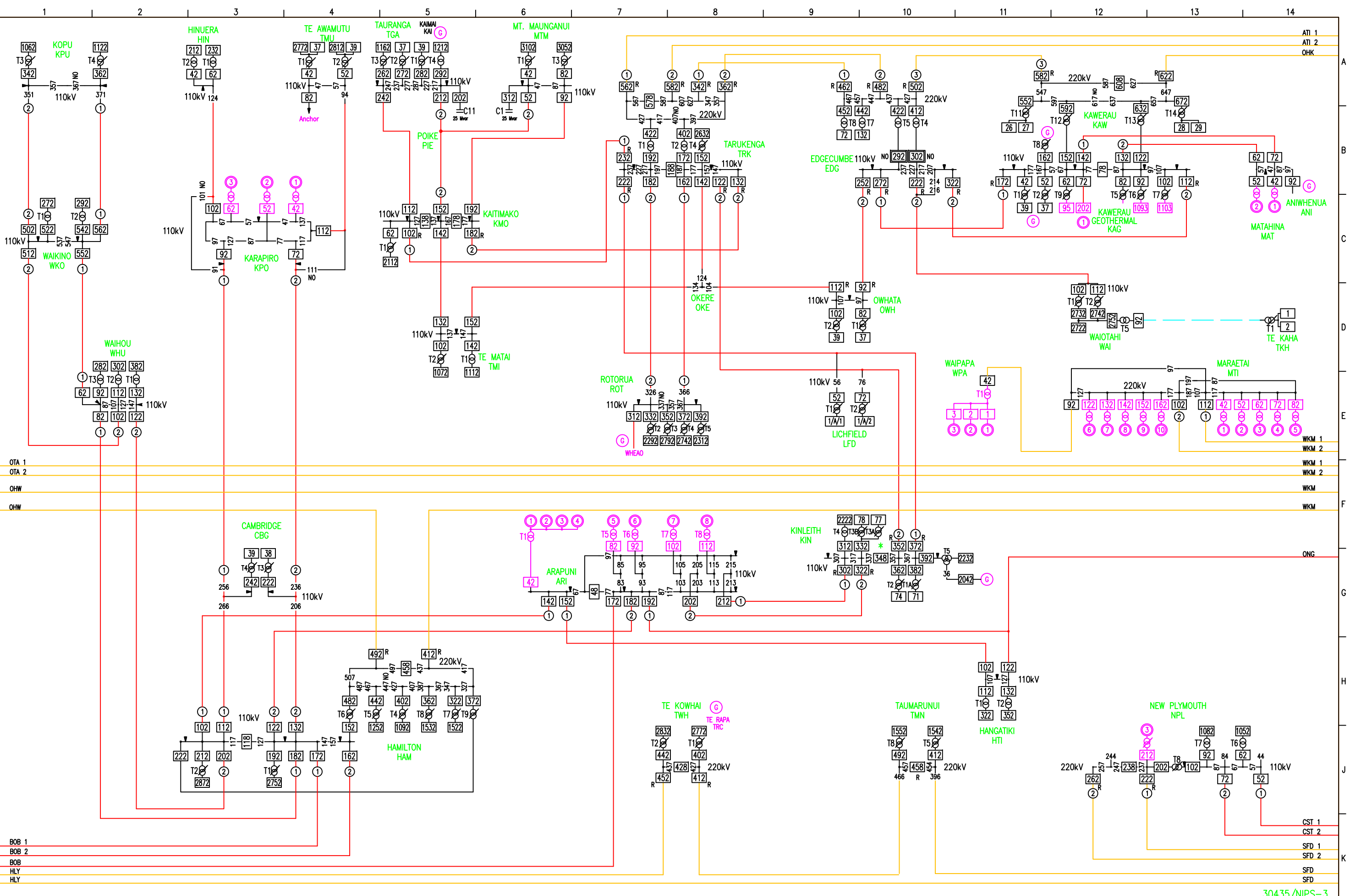
DRAWN	D Chapman	8/93
CHECKED	M Frater	8/93
REC. ISSUE	S. Mutton	8/93
APP. ISSUE	P. Clark	9/93
DATE OF CURRENT ISSUE		08/10



TRANSPower TRANSMISSION	NIPS-2
NORTH ISLAND POWER SYSTEM DIAGRAM (SHEET 2 OF 5)	ISSUE AK (SEE NIPS-7)

30435/NIPS-2

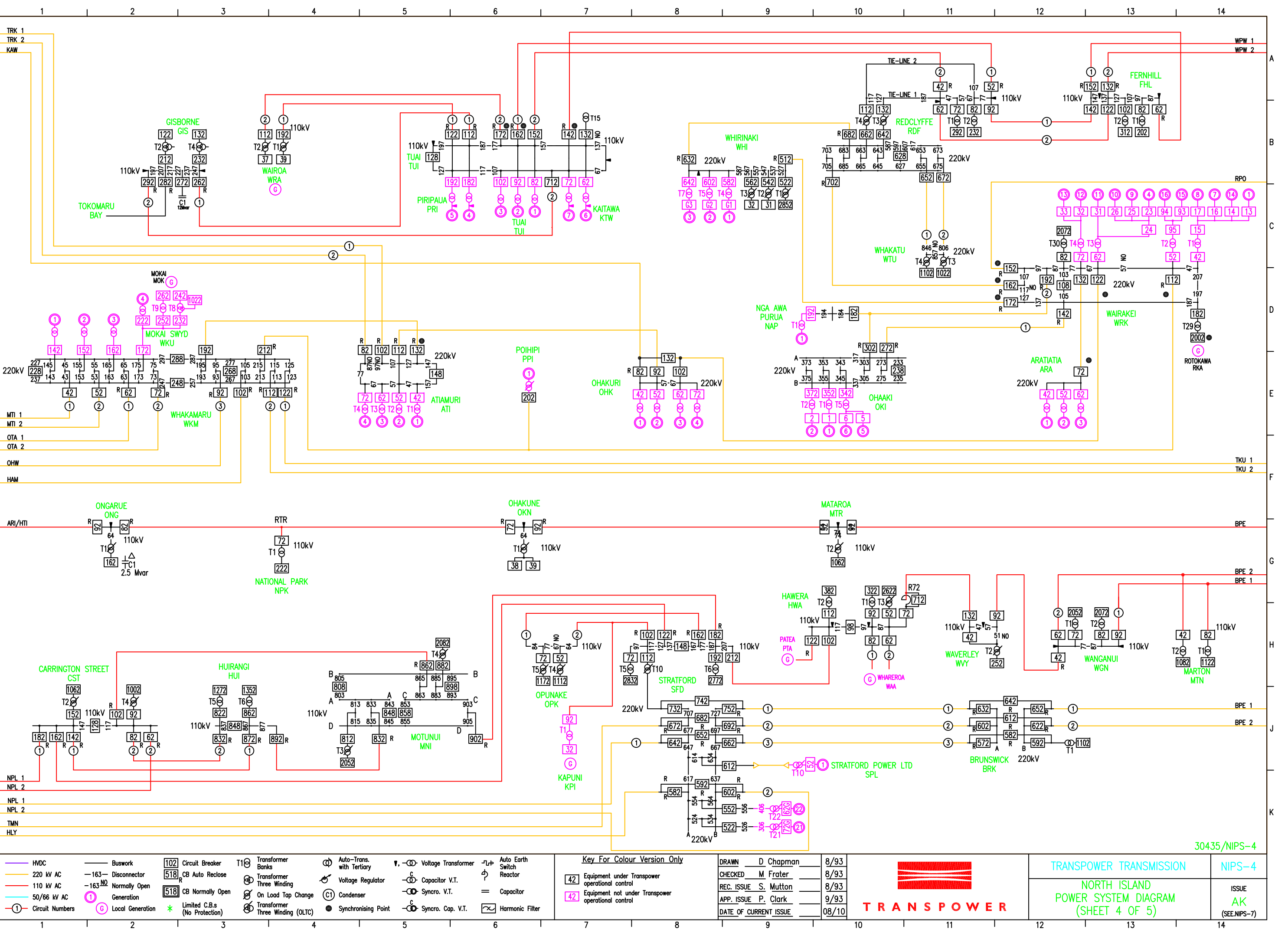
COPYRIGHT © TRANS POWER NEW ZEALAND LIMITED 1993 (Note: The year stated would be the year that the drawing was produced. Under Copyright Law, any Copyright expires after 50 years from this date.)
 UNAUTHORISED REPRODUCTION PROHIBITED
 ISSUE A2
 AP. C



<p>Legend:</p> <ul style="list-style-type: none"> — HVDC — 220 kV AC — 110 kV AC — 50/66 kV AC 1 Circuit Numbers G Local Generation * Limited C.B.s (No Protection) 102 Circuit Breaker 518 CB Auto Reclose 518 CB Normally Open T1 Transformer Banks T Transformer Three Winding T On Load Tap Change T Transformer Three Winding (OLTC) V Auto-Trans. with Tertiary V Voltage Regulator C Condenser S Synchronising Point V Voltage Transformer C Capacitor V.T. S Syncro. V.T. S Syncro. Cap. V.T. A Auto Earth Switch R Reactor C Capacitor F Harmonic Filter 	<p>Key For Colour Version Only</p> <ul style="list-style-type: none"> 42 Equipment under Transpower operational control 42 Equipment not under Transpower operational control 	<p>Key For Colour Version Only</p> <ul style="list-style-type: none"> 42 Equipment under Transpower operational control 42 Equipment not under Transpower operational control 	<p> DRAWN <u>D. Chapman</u> 8/93 CHECKED <u>M. Frater</u> 8/93 REC. ISSUE <u>S. Mutton</u> 8/93 APP. ISSUE <u>P. Clark</u> 9/93 DATE OF CURRENT ISSUE <u>08/10</u> </p>	<p>TRANSPower</p>	<p>TRANSPOWER TRANSMISSION</p> <p>NORTH ISLAND POWER SYSTEM DIAGRAM (SHEET 3 OF 5)</p>	<p>NIPS-3</p> <p>ISSUE AK (SEE NIPS-7)</p>
--	---	---	---	--------------------------	---	---

30435/NIPS-3

COPYRIGHT © TRANS POWER NEW ZEALAND LIMITED 1993 (Note: The year stated would be the year that the drawing was produced. Under Copyright Law, any Copyright expires after 50 years from this date.)
 UNAUTHORISED REPRODUCTION PROHIBITED
 ISSUE A2 AP. C

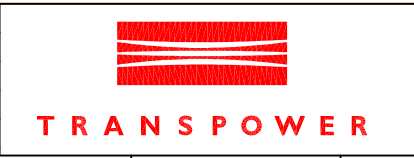


30435/NIPS-4

- | | | | | | | |
|---------------|------------------------|---------------------------------|----------------------------------|---------------------------|-----------------------|-------------------|
| — HVDC | — Buswork | 102 Circuit Breaker | T1 Transformer Banks | Auto-Trans. with Tertiary | V Voltage Transformer | Auto Earth Switch |
| — 220 kV AC | — 163 Disconnector | 518 CB Auto Reclose | Transformer Three Winding | Voltage Regulator | Capacitor V.T. | Reactor |
| — 110 kV AC | — 163 NO Normally Open | 518 CB Normally Open | On Load Tap Change | (C) Condenser | — Syncro. V.T. | Capacitor |
| — 50/66 kV AC | ① Generation | * Limited C.B.s (No Protection) | Transformer Three Winding (OLTC) | ● Synchronising Point | — Syncro. Cap. V.T. | Harmonic Filter |

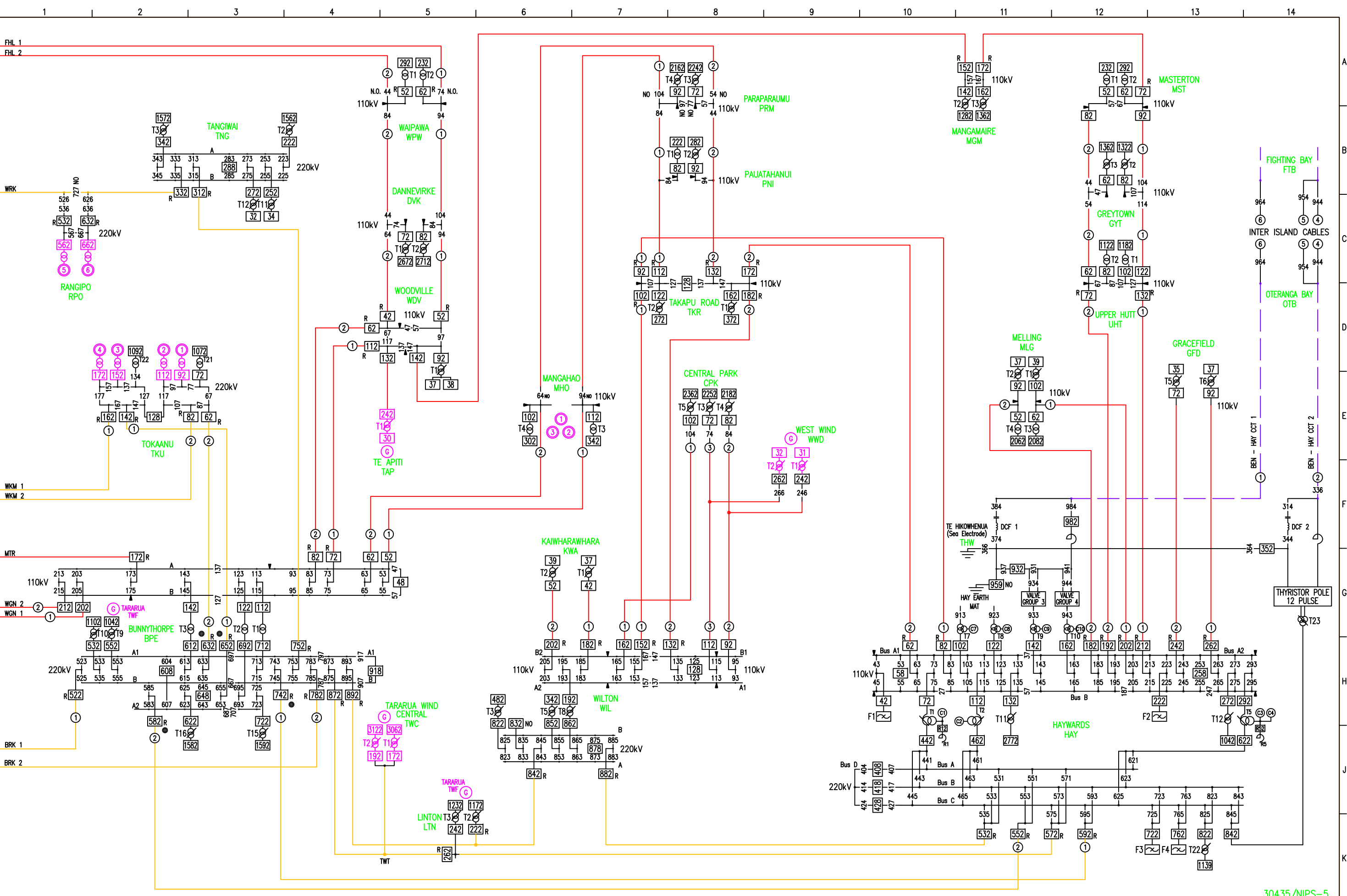
- Key For Colour Version Only**
- 42 Equipment under Transpower operational control
 - 42 Equipment not under Transpower operational control

DRAWN	D Chapman	8/93
CHECKED	M Frater	8/93
REC. ISSUE	S Mutton	8/93
APP. ISSUE	P. Clark	9/93
DATE OF CURRENT ISSUE		08/10



TRANSPower TRANSMISSION	NIPS-4
NORTH ISLAND POWER SYSTEM DIAGRAM (SHEET 4 OF 5)	
ISSUE AK	(SEE NIPS-7)

COPYRIGHT © TRANS POWER NEW ZEALAND LIMITED 1993 (Note: The year stated would be the year that the drawing was produced. Under Copyright Law, any Copyright expires after 50 years from this date.)
 UNAUTHORISED REPRODUCTION PROHIBITED
 ISSUE A2
 AP. C



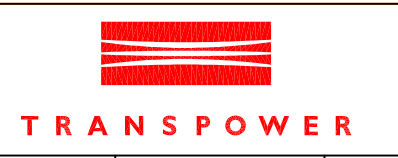
30435/NIPS-5

HVDC	Buswork	102 Circuit Breaker	T1 Transformer Banks	Auto-Trans. with Tertiary	Voltage Transformer	Auto Earth Switch
220 kV AC	-163- Disconnector	518 CB Auto Reclose	Transformer Three Winding	Voltage Regulator	Capacitor V.T.	Reactor
110 kV AC	-163- Normally Open	518 CB Normally Open	On Load Tap Change	Condenser	Syncro. V.T.	Capacitor
50/66 kV AC	1 Generation	Limited C.B.s (No Protection)	Transformer Three Winding (OLTC)	Synchronising Point	Syncro. Cap. V.T.	Harmonic Filter

Key For Colour Version Only

42	Equipment under Transpower operational control
42	Equipment not under Transpower operational control

DRAWN	D. Chapman	8/93
CHECKED	M. Frater	8/93
REC. ISSUE	S. Mutton	8/93
APP. ISSUE	P. Clark	9/93
DATE OF CURRENT ISSUE		08/10



TRANSPOWER TRANSMISSION	NIPS-5
NORTH ISLAND POWER SYSTEM DIAGRAM (SHEET 5 OF 5)	
ISSUE AK	(SEE NIPS-7)