

Legend

- HDCC Buswork
- 220 kV AC Disconnector
- 110 kV AC Disconnector
- 50/66 kV AC Disconnector
- 102 Circuit Breaker
- 518 CB Auto Reclose
- 518 CB Normally Open
- 518 CB Normally Open (No Protection)
- 118 Transformer Banks
- 118 Transformer Three Winding
- 118 Transformer On Load Tap Change
- 118 Transformer Three Winding (OLTC)
- Auto-Trans. with Tertiary
- Voltage Regulator
- Capacitor V.I.
- Synchr. V.I.
- Synchr. Cap. V.I.
- Auto Earth Switch
- Reactor
- Capacitor
- Harmonic Filter

Key For Colour Version Only

- 42 Equipment under Transponder operational control
- 42 Equipment not under Transponder operational control

DRAWN	I. D. McKoy	3/88
CHECKED	D. G. Renner	4/88
REC. ISSUE	D. G. Renner	5/88
APP. ISSUE	C. P. Bull	5/88
DATE OF CURRENT ISSUE		07/08

TRANSPower

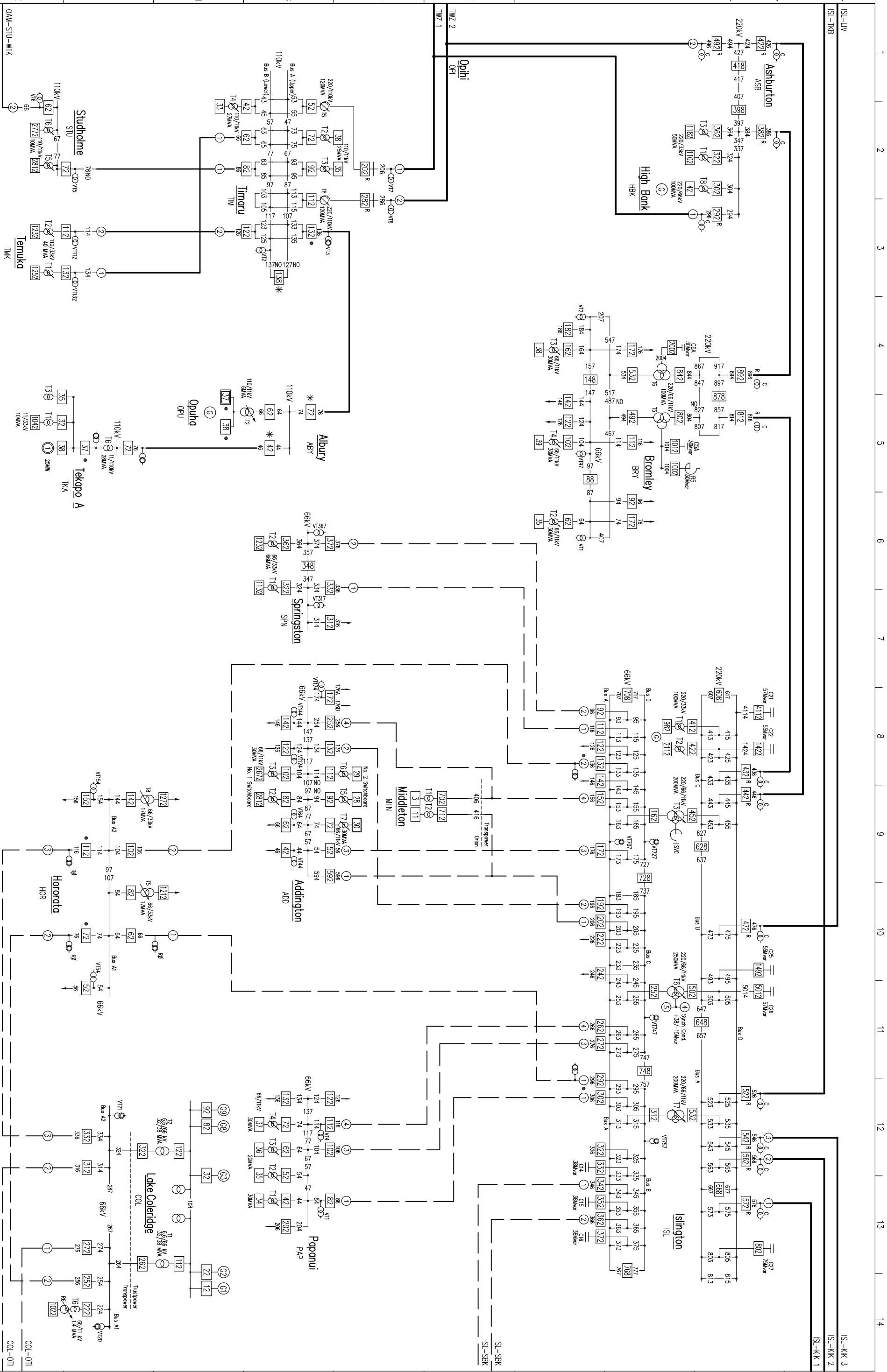
TRANSPower TRANSMISSION

SOUTH ISLAND POWER SYSTEM DIAGRAM (SHEET 1 OF 4)

ISSUE AG (SEE SPS-7)

Z
Y
X
W
V
U
T
S
R
Q
P
N
M
L
K
J
H
G
F
E
D
C
B
A

1
2
3
4
5
6
7
8
9
10
11
12
13
14



Key For Colour Version Only

	Buswork		Circuit Breaker
	220 kV AC Disconnector		50/66 kV AC Disconnector
	110 kV AC Disconnector		50/66 kV AC Disconnector (Normally Open)
	Generation		Load Generation
	Limited C.B.s (No Protection)		Transformer
	Transformer Banks		Transformer Three Winding
	Transformer On Load Tap Change		Transformer Three Winding (ULT)
	Auto-Trans. with Tertiary		Voltage Regulator
	Voltage Regulator		Capacitor V.T.
	Synchronising Point		Synchronising Cap. V.T.
	Auto Earth Switch		Reactor
	Auto Earth Switch		Capacitor
	Equipment under Transpower operational control		Equipment not under Transpower operational control

DRAWN	L. D. McKoy	3/88
CHECKED	D. G. Renner	4/88
REC. ISSUE	D. G. Renner	5/88
APP. ISSUE	C. P. Bull	5/88
DATE OF CURRENT ISSUE		07/08

TRANSPOWER TRANSMISSION

SOUTH ISLAND POWER SYSTEM DIAGRAM (SHEET 3 OF 4)

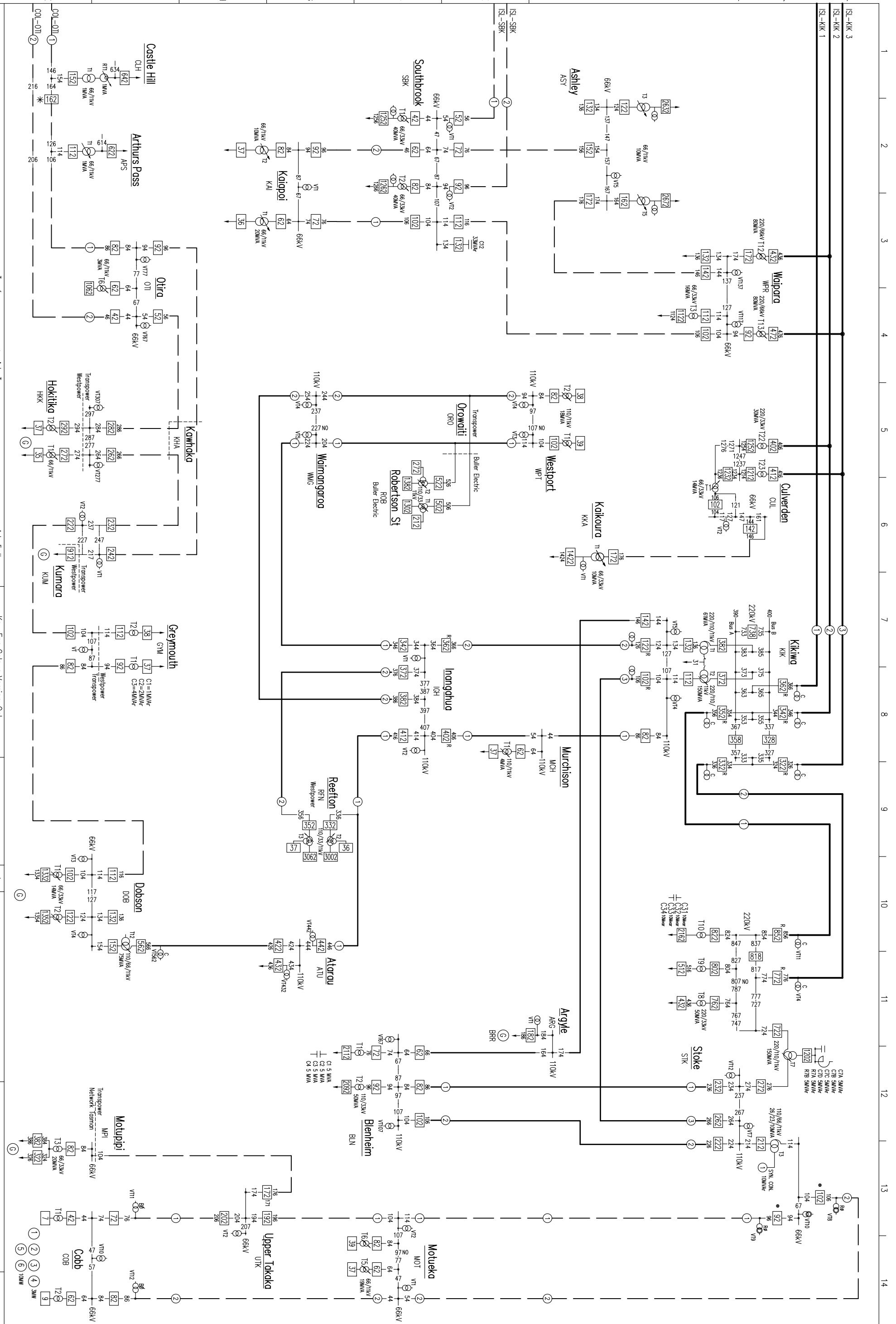
SIPS-3 ISSUE AG (SEE SIPS-7)

ISSUE
 AP. C.

A2
 1 2 3 4 5 6 7 8 9 10 11 12 13 14

1 2 3 4 5 6 7 8 9 10 11 12 13 14

ISL-LIV ISL-KKB ISL-KIK 3 ISL-KIK 2 ISL-KIK 1



<p> Key For Colour Version Only 42 Equipment under Transpower operational control 42 Equipment not under Transpower operational control </p>	<p> TRANSPOWER TRANSMISSION SOUTH ISLAND POWER SYSTEM DIAGRAM (SHEET 4 OF 4) </p>	<p> SIPS-4 ISSUE AG (SEE SIPS-7) </p>
---	---	---

ISSUE	1
AP. C.	1
A	
B	
C	
D	
E	
F	
G	
H	
I	
J	
K	
L	
M	
N	
O	
P	
Q	
R	
S	
T	
U	
V	
W	
X	
Y	
Z	

<p> HDCC 220 kV AC 110 kV AC 50/66 kV AC Circuit Numbers </p>	<p> Buswork -163- Disconnector -163- Normally Open -163- Generation Load Generation Limited C.B.s (No Protection) </p>	<p> 102 Circuit Breaker 518 CB Auto Reclose 518 CB Normally Open 518 CB Normally Open (No Protection) </p>	<p> 118 Transformer Banks Transformer Three Winding Transformer On Load Tap Change Transformer Three Winding (ULT) </p>	<p> Auto-Trans. with Tertiary Voltage Regulator Auto Earth Switch Voltage Transformer Synchronising Point Synchron. Cap. V.T. </p>	<p> Key For Colour Version Only 42 Equipment under Transpower operational control 42 Equipment not under Transpower operational control </p>
---	---	---	--	---	--

<p> DRAWN I. D. McKoy CHECKED D. G. Renner REC. ISSUE D. G. Renner APP. ISSUE C. P. Bull DATE OF CURRENT ISSUE 07/08 </p>	<p> 3/88 4/88 5/88 5/88 07/08 </p>
---	--