

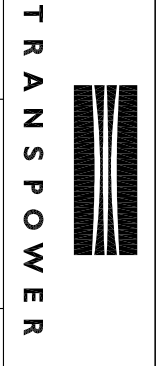
Legend:

- HVDC
- 220 kV AC
- 110 kV AC
- 50/66 kV AC
- Circuit Numbers
- Buswork
- 163 - Disconnector
- 163 NO - Normally Open
- 163 - Generation
- 102 - Circuit Breaker
- 518 - CB Auto Reclose
- 518 - CB Normally Open
- 518 - CB Limited C.B.s (No Protection)
- 118 - Transformer
- 118 - Transformer Banks
- 118 - Transformer On Load Tap Change
- 118 - Transformer Three Winding (ULT)
- Auto-Trans. with Tertiary
- Voltage Regulator
- Condenser
- Synchronising Point
- Voltage Transformer
- Capacitor V.T.
- Synchro. V.T.
- Synchro. Cap. V.T.
- Auto Earth Switch
- Reactor
- Capacitor
- Harmonic Filter

Key For Colour Version Only

- 42 - Equipment under Transpower operational control
- 42 - Equipment not under Transpower operational control

DRAWN	D Chapman	8/93
CHECKED	M Fidler	8/93
REC. ISSUE	S. Mutton	8/93
APP. ISSUE	P. Clark	9/93
DATE OF CURRENT ISSUE		07/08



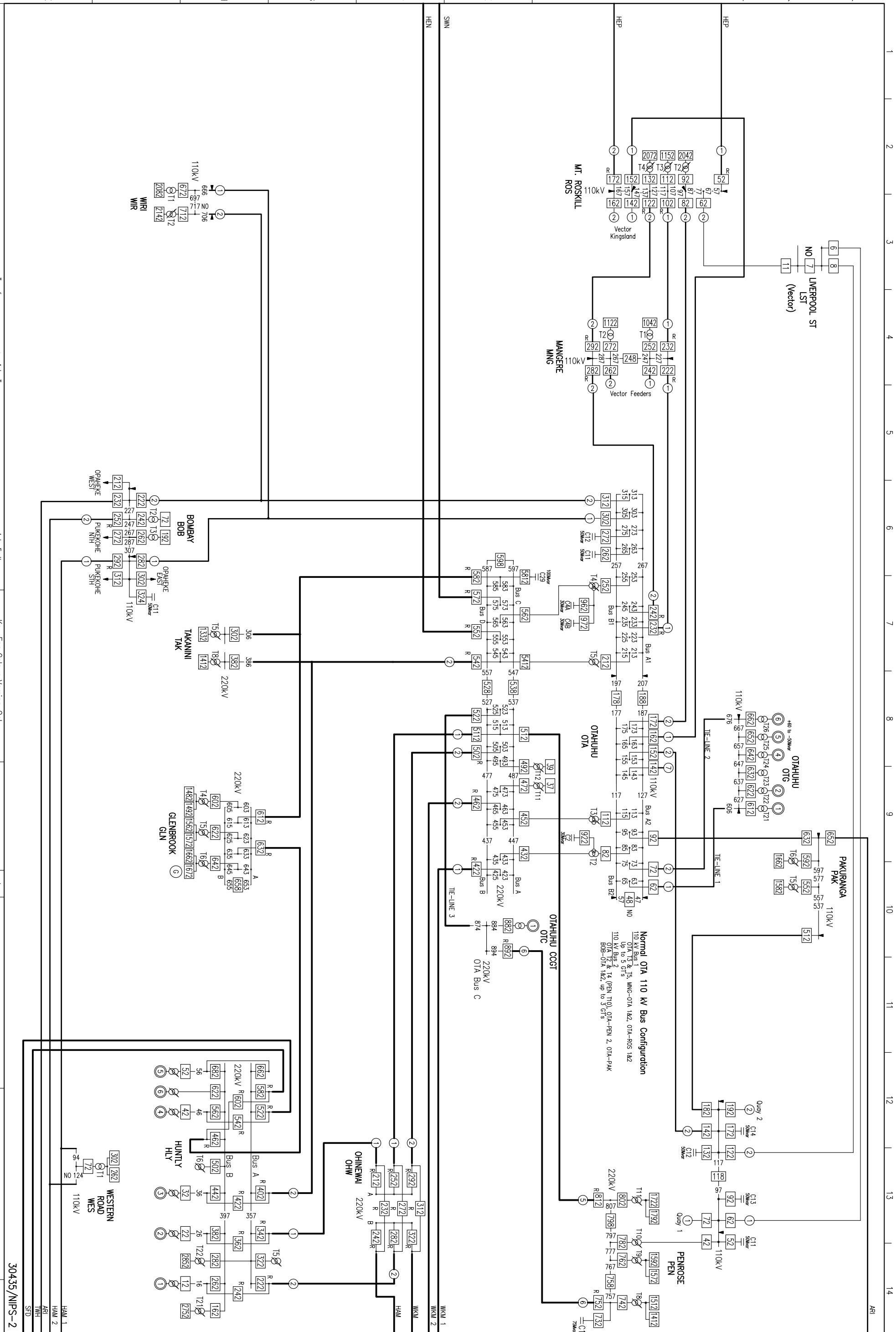
TRANSPOWER TRANSMISSION
 NORTH ISLAND
 POWER SYSTEM DIAGRAM
 (SHEET 1 OF 5)

30435/NIPS-1
 NIPS-1
 ISSUE
 AH
 (SEE NIPS-7)

ISSUE
 AP. C.

A
 B
 C
 D
 E
 F
 G
 H
 J
 K
 L
 M
 N
 P
 Q
 R
 S
 T
 U
 V
 W
 X
 Y
 Z

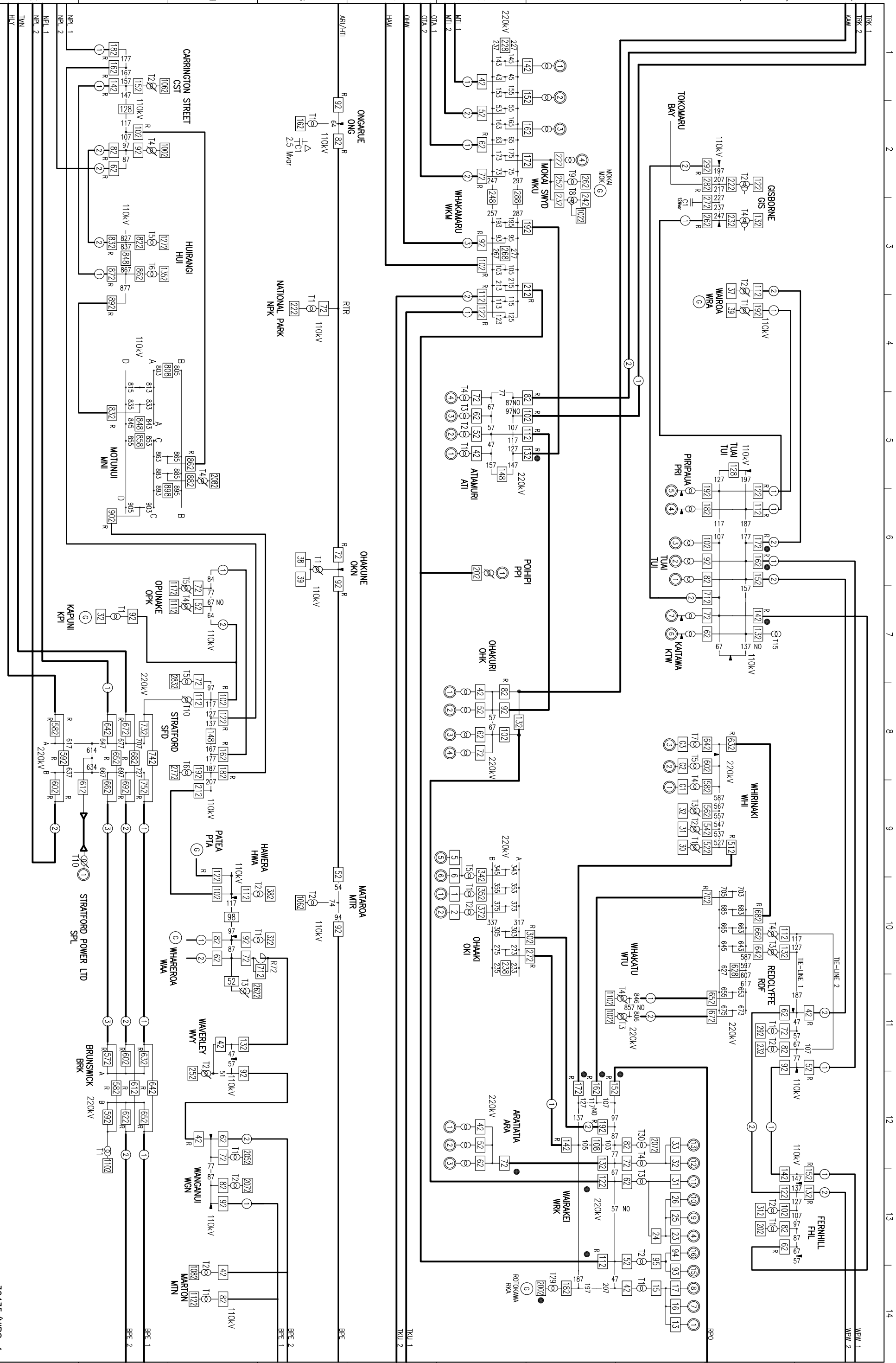
1
 2
 3
 4
 5
 6
 7
 8
 9
 10
 11
 12
 13
 14



Normal OTA 110 kV Bus Configuration
 110 kV Bus 1, 110 kV Bus 2, 110 kV Bus 3 & 15, MNG-OTA 1&2, OTA-ROK 1&2
 Up to 5 GTS
 110 kV Bus 2 & 14 (PEN T10), OTA-PEN 2, OTA-PAK
 110 kV Bus 1 & 2, up to 3 GTS

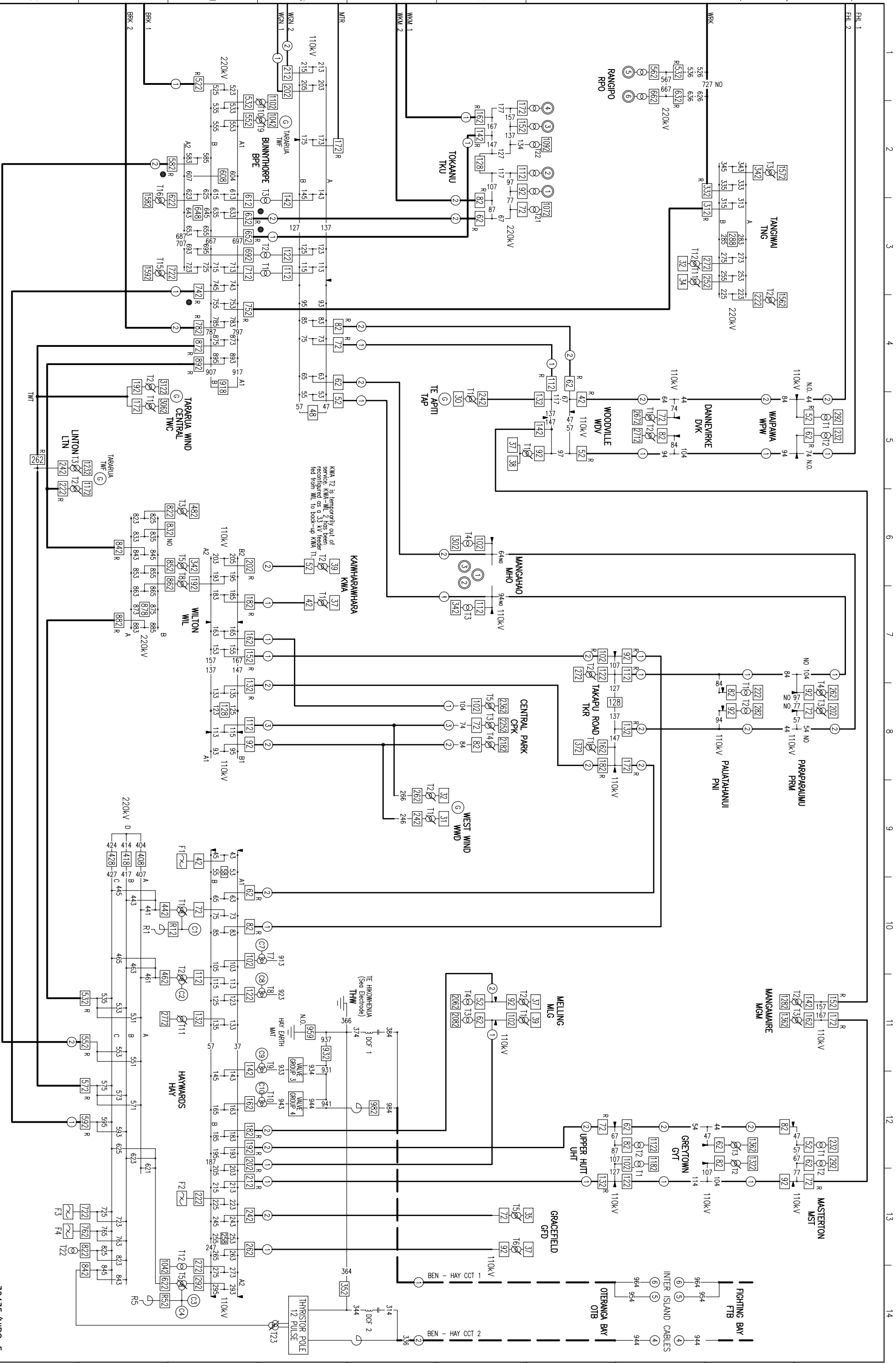
<p>Legend:</p> <ul style="list-style-type: none"> — Buswork — 220 kV AC — 110 kV AC — 50/66 kV AC ○ Circuit Numbers ○ Breaker ○ Disconnector ○ Normally Open ○ Generation ○ Load Generation ○ Transformer ○ Auto-Trans. with Tertiary ○ Voltage Regulator ○ Condenser ○ On Load Tap Change ○ Synchronising Point ○ Three Winding (ULTC) ○ Voltage Transformer ○ Capacitor V.T. ○ Synchron. V.T. ○ Synchron. Cap. V.T. ○ Auto Earth ○ Switch ○ Reactor ○ Harmonic Filter 	<p>Key For Colour Version Only</p> <ul style="list-style-type: none"> □ Equipment under Transpower operational control □ Equipment not under Transpower operational control 	<p>DRAWN: D Chapman</p> <p>CHECKED: M Fidler</p> <p>REC. ISSUE: S. Mutton</p> <p>APP. ISSUE: P. Clark</p> <p>DATE OF CURRENT ISSUE: 07/08</p>	<p>TRANSPOWER TRANSMISSION</p> <p>NORTH ISLAND POWER SYSTEM DIAGRAM (SHEET 2 OF 5)</p> <p>ISSUE: AH</p> <p>(SEE NIPS-7)</p>
--	---	---	---

30435/NIPS-2



30435/NIPS-4

<p> Key For Colour Version Only 42 Equipment under Transpower operational control 42 Equipment not under Transpower operational control </p>	<p> DRAWN D Chapman 8/93 CHECKED M Fowler 8/93 REC. ISSUE S. Mutton 8/93 APP. ISSUE P. Clark 9/93 DATE OF CURRENT ISSUE 07/08 </p>	<p> TRANSPOWER TRANSMISSION NORTH ISLAND POWER SYSTEM DIAGRAM (SHEET 4 OF 5) </p>	<p> NIPS-4 ISSUE AH (SEE NIPS-7) </p>
---	--	--	--



<p> Key For Colour Version Only 42 Equipment under Transpower operational control 42 Equipment not under Transpower operational control </p>	<p> DRAWN D Chapman 8/93 CHECKED M Fowler 8/93 REC. ISSUE S. Mutton 8/93 APP. ISSUE P. Clark 9/93 DATE OF CURRENT ISSUE 07/08 </p>
<p>TRANS POWER</p>	
<p> TRANSPower TRANSMISSION NORTH ISLAND POWER SYSTEM DIAGRAM (SHEET 5 OF 5) </p>	<p> NIPS-5 ISSUE AH (SEE NIPS-7) </p>