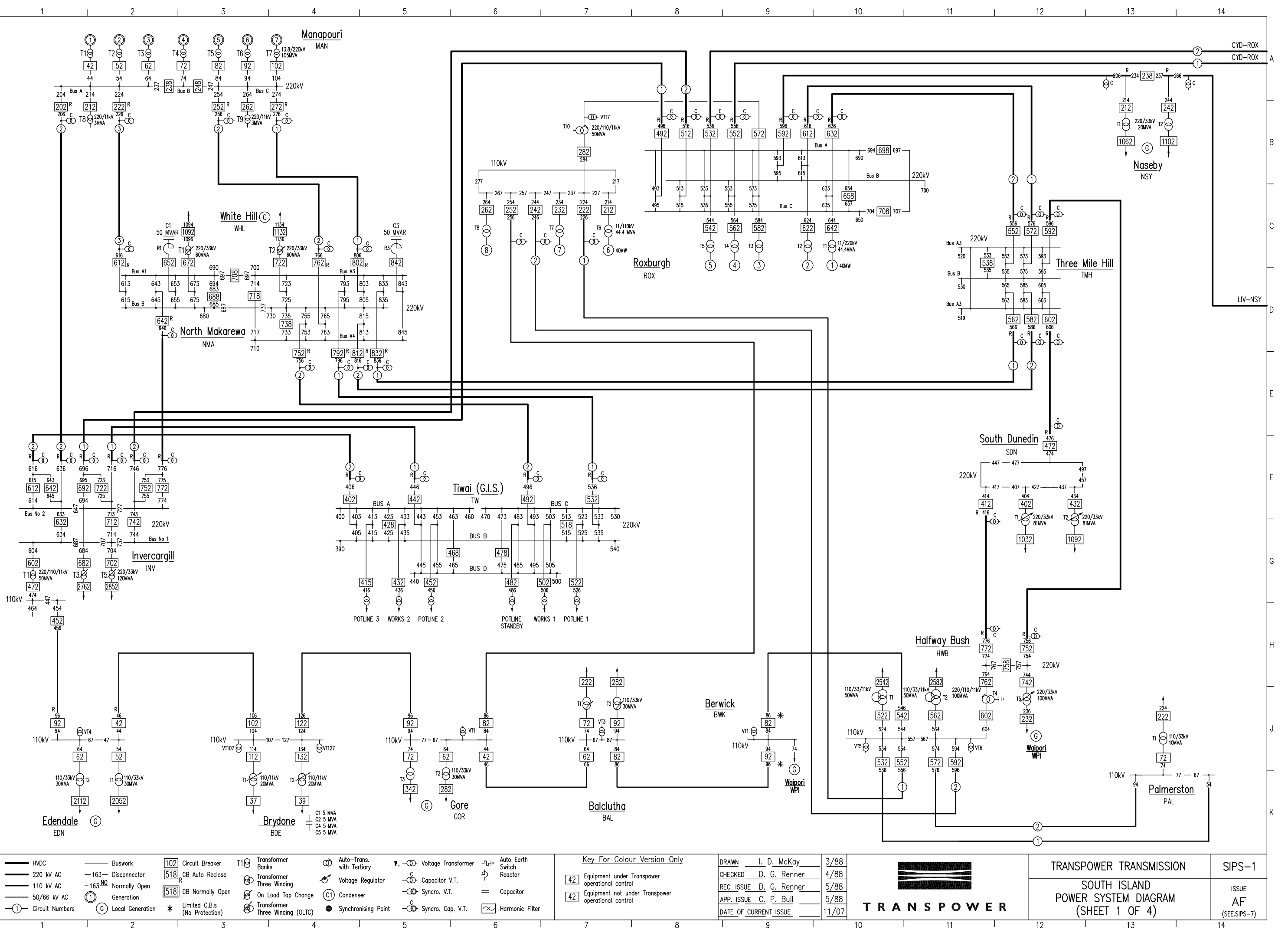


COPYRIGHT © TRANSPOWER NEW ZEALAND LIMITED 1993 (Note: The year stated would be the year that the drawing was produced. Under Copyright Law, any Copyright expires after 50 years from this date.) UNAUTHORISED REPRODUCTION PROHIBITED
 ISSUE A2 AP. C

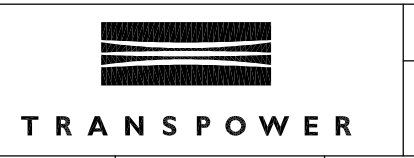


	HVDC		Buswork		102 Circuit Breaker		T1 Transformer Banks		Auto-Trans. with Tertiary		V Voltage Transformer		Auto Earth Switch Reactor
	220 kV AC		163- Disconnector		518 CB Auto Reclose		Transformer Three Winding		Voltage Regulator		C Capacitor V.T.		Capacitor
	110 kV AC		163 NO Normally Open		518 CB Normally Open		On Load Tap Change		C1 Condenser		S Syncro. V.T.		Syncro. Cap. V.T.
	50/66 kV AC		Generation		* Limited C.B.s (No Protection)		Transformer Three Winding (OLTC)		S Synchronising Point		H Harmonic Filter		
	1 Circuit Numbers		G Local Generation										

Key For Colour Version Only

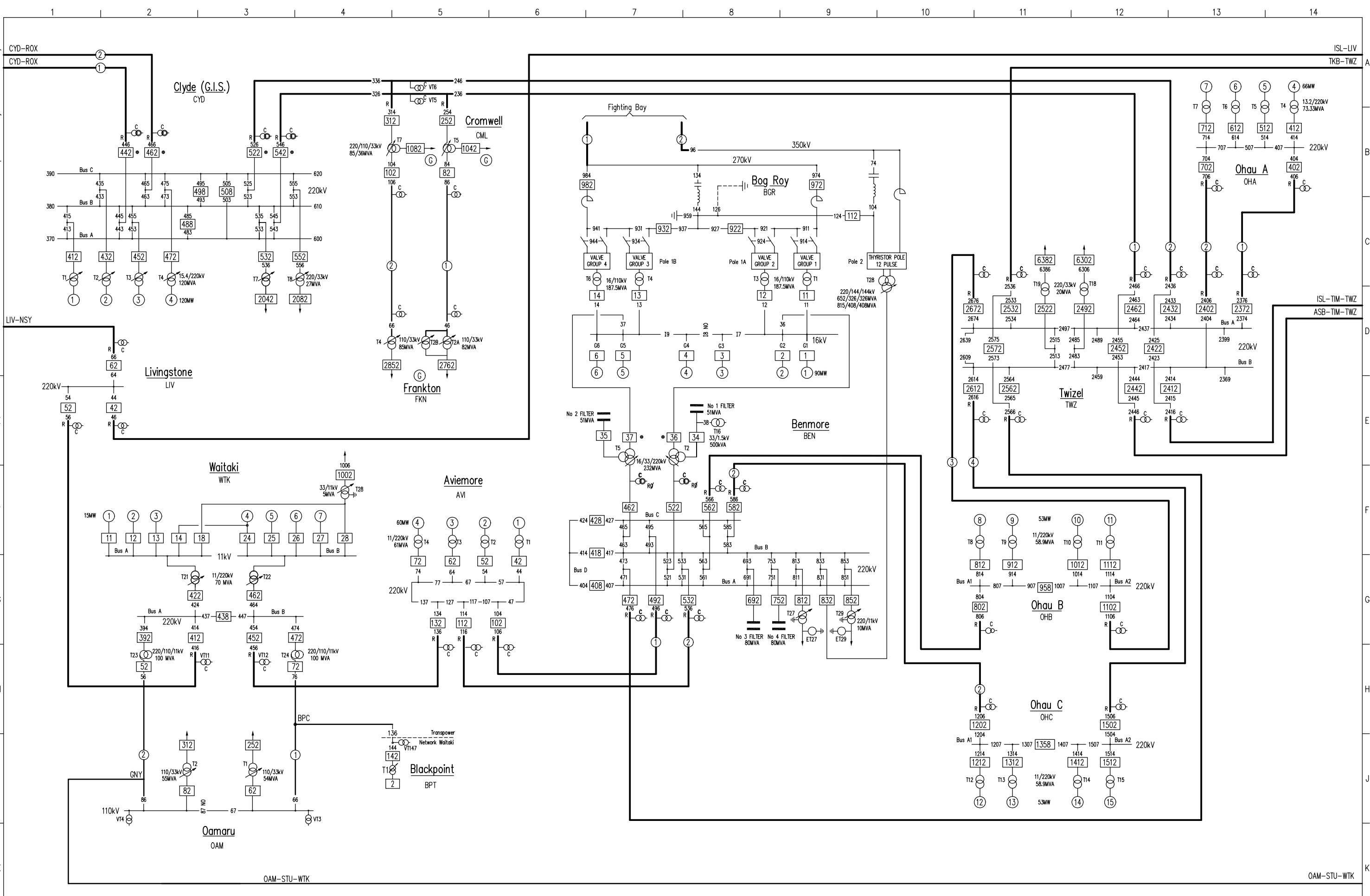
	42 Equipment under Transpower operational control
	42 Equipment not under Transpower operational control

DRAWN	I. D. McKay	3/88
CHECKED	D. G. Renner	4/88
REC. ISSUE	D. G. Renner	5/88
APP. ISSUE	C. P. Bull	5/88
DATE OF CURRENT ISSUE		11/07



TRANSPOWER TRANSMISSION	SIPS-1
SOUTH ISLAND POWER SYSTEM DIAGRAM (SHEET 1 OF 4)	
ISSUE AF	(SEE SIPS-7)

COPYRIGHT © TRANSPOWER NEW ZEALAND LIMITED 1993 (Note: The year stated would be the year that the drawing was produced. Under Copyright Law, any Copyright expires after 50 years from this date.) UNAUTHORISED REPRODUCTION PROHIBITED
 ISSUE AP. C. A2

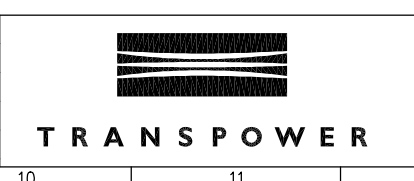


	Buswork					
	-163- Disconnector					
	-163 NO Normally Open					

Key For Colour Version Only

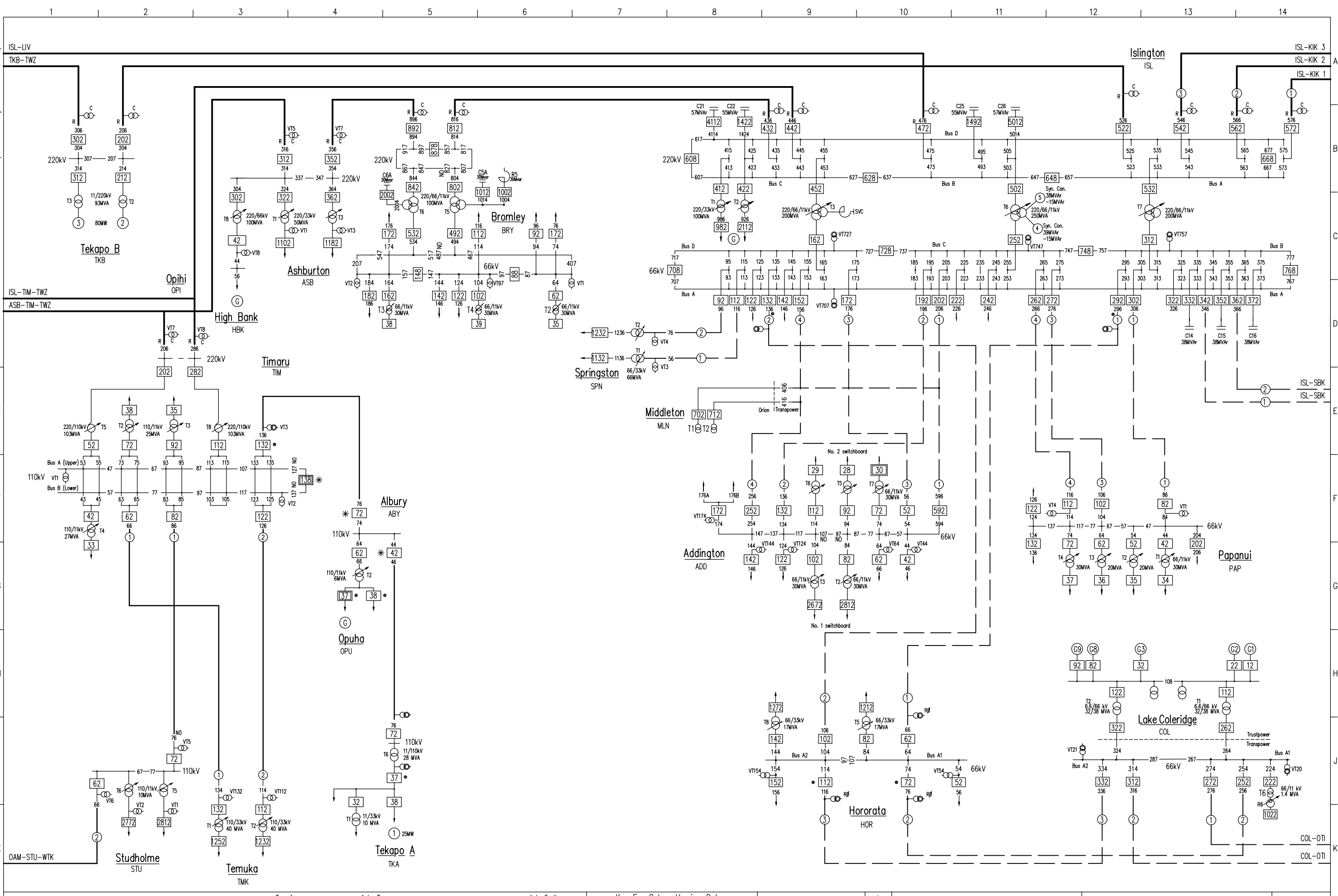
	Equipment under Transpower operational control
	Equipment not under Transpower operational control

DRAWN	I. D. McKay	3/88
CHECKED	D. G. Renner	4/88
REC. ISSUE	D. G. Renner	5/88
APP. ISSUE	C. P. Bull	5/88
DATE OF CURRENT ISSUE		11/07



TRANSPOWER TRANSMISSION	SIPS-2
SOUTH ISLAND POWER SYSTEM DIAGRAM (SHEET 2 OF 4)	
ISSUE AF	(SEE SIPS-7)

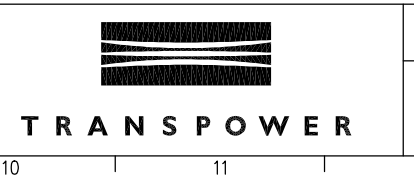
COPYRIGHT (C) TRANSPOWER NEW ZEALAND LIMITED 1993
 ALL RIGHTS RESERVED
 UNAUTHORISED REPRODUCTION PROHIBITED
 (Note: The year stated would be the year that the drawing was produced. Under Copyright Law, any Copyright expires after 50 years from this date.)
 ISSUE Z
 AP. C. Y
 X
 W
 V
 U
 T
 S
 R
 Q
 P
 N
 M
 L
 K
 J
 H
 G
 F
 E
 D
 C
 B
 A
 A2



Key For Colour Version Only

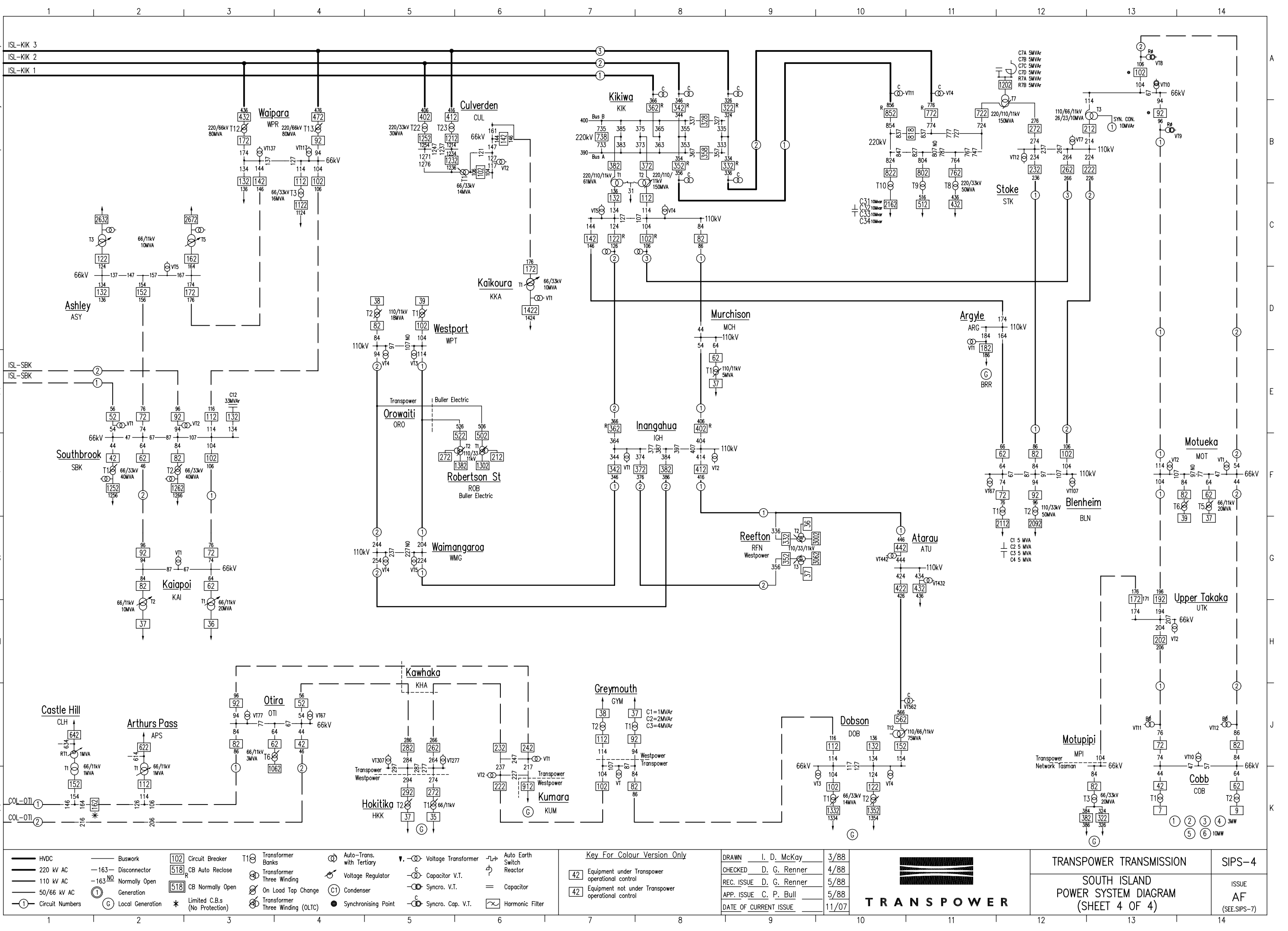
	Equipment under Transpower operational control
	Equipment not under Transpower operational control

DRAWN	I. D. McKay	3/88
CHECKED	D. G. Renner	4/88
REC. ISSUE	D. G. Renner	5/88
APP. ISSUE	C. P. Bull	5/88
DATE OF CURRENT ISSUE		11/07



TRANSPOWER TRANSMISSION	SIPS-3
SOUTH ISLAND POWER SYSTEM DIAGRAM (SHEET 3 OF 4)	
ISSUE AF	(SEE SIPS-7)

COPYRIGHT (C) TRANSPOWER NEW ZEALAND LIMITED 1993 (Note: The year stated would be the year that the drawing was produced. Under Copyright Law, any Copyright expires after 50 years from this date.)
 ALL RIGHTS RESERVED
 UNAUTHORISED REPRODUCTION PROHIBITED
 ISSUE A2
 AP. C



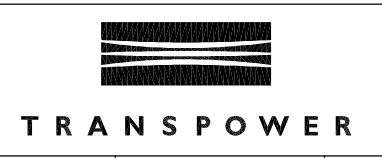
- | | | | | | | |
|---------------|------------------------|---------------------------------|----------------------------------|---------------------------|-----------------------|-------------------|
| — HVDC | — Buswork | 102 Circuit Breaker | T1 Transformer Banks | Auto-Trans. with Tertiary | V Voltage Transformer | Auto Earth Switch |
| — 220 kV AC | — 163- Disconnector | 518 CB Auto Reclose | Transformer Three Winding | Voltage Regulator | Capacitor V.T. | Reactor |
| — 110 kV AC | — 163 NO Normally Open | 518 CB Normally Open | On Load Tap Change | (C) Condenser | — Syncro. V.T. | Capacitor |
| — 50/66 kV AC | (1) Generation | * Limited C.B.s (No Protection) | Transformer Three Winding (OLTC) | ● Synchronising Point | — Syncro. Cap. V.T. | Harmonic Filter |

Key For Colour Version Only

42 Equipment under Transpower operational control

42 Equipment not under Transpower operational control

DRAWN	I. D. McKay	3/88
CHECKED	D. G. Renner	4/88
REC. ISSUE	D. G. Renner	5/88
APP. ISSUE	C. P. Bull	5/88
DATE OF CURRENT ISSUE		11/07



TRANSPOWER TRANSMISSION	SIPS-4
SOUTH ISLAND POWER SYSTEM DIAGRAM (SHEET 4 OF 4)	ISSUE AF (SEE SIPS-7)