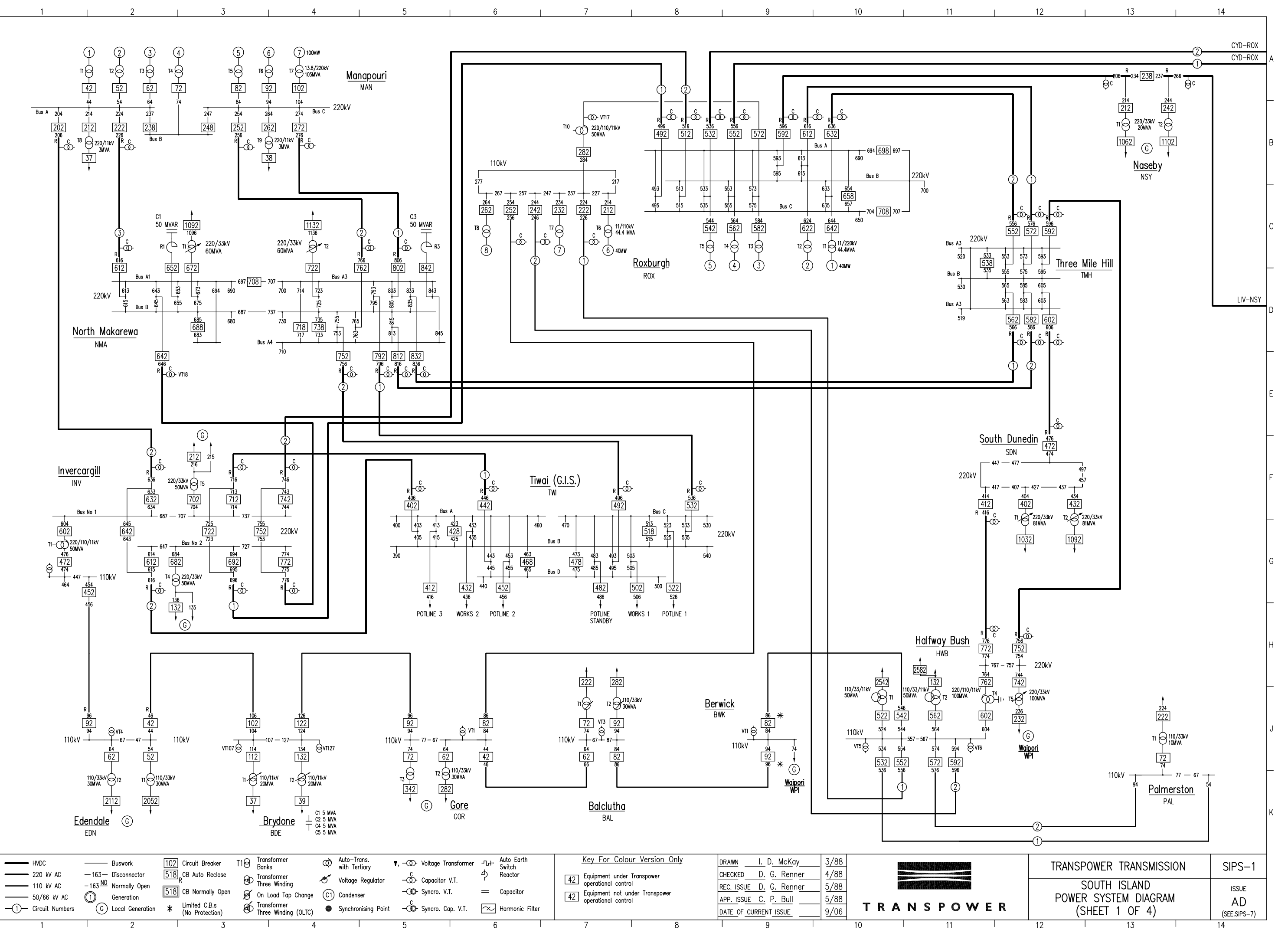


COPYRIGHT © TRANSPOWER NEW ZEALAND LIMITED 1993 (Note: The year stated would be the year that the drawing was produced. Under Copyright Law, any Copyright expires after 50 years from this date.) UNAUTHORISED REPRODUCTION PROHIBITED  
 ISSUE A2 AP. C

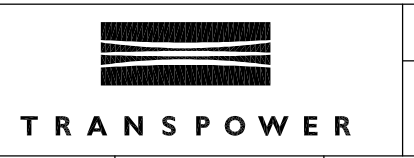


	Buswork			
	-163- Disconnector			
	-163 NO Normally Open			

**Key For Colour Version Only**

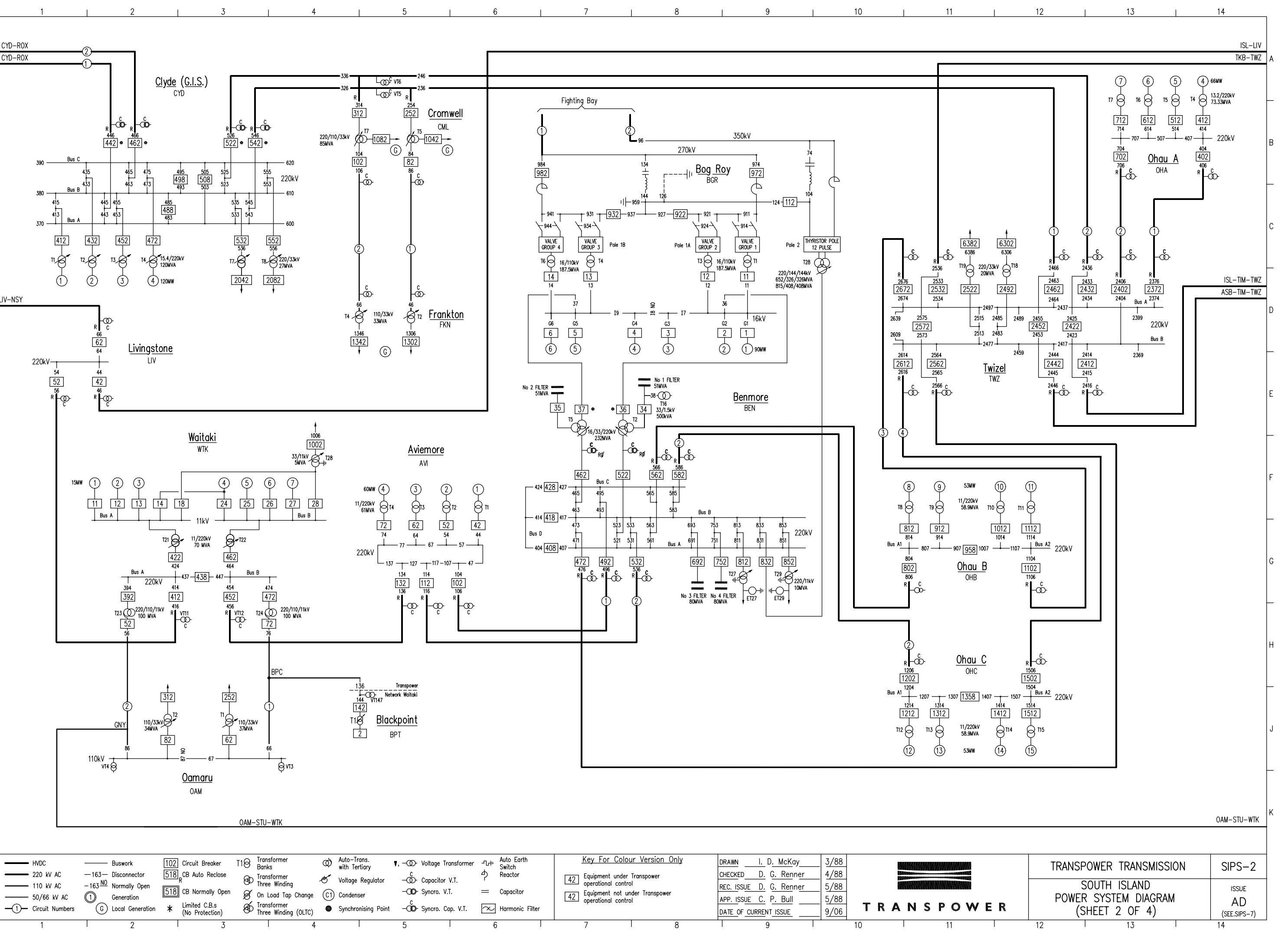
	Equipment under Transpower operational control
	Equipment not under Transpower operational control

DRAWN	I. D. McKay	3/88
CHECKED	D. G. Renner	4/88
REC. ISSUE	D. G. Renner	5/88
APP. ISSUE	C. P. Bull	5/88
DATE OF CURRENT ISSUE		9/06



TRANSPOWER TRANSMISSION	SIPS-1
SOUTH ISLAND POWER SYSTEM DIAGRAM (SHEET 1 OF 4)	
ISSUE AD	(SEE SIPS-7)

COPYRIGHT (C) TRANSPOWER NEW ZEALAND LIMITED 1993 (Note: The year stated would be the year that the drawing was produced. Under Copyright Law, any Copyright expires after 50 years from this date.) UNAUTHORISED REPRODUCTION PROHIBITED  
 ISSUE AD (SEE SIPS-7)  
 AP. C.



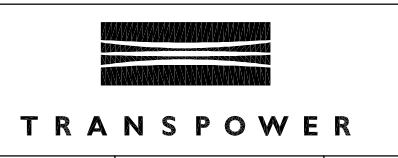
- |                   |                        |                                 |                                  |                           |                       |                   |
|-------------------|------------------------|---------------------------------|----------------------------------|---------------------------|-----------------------|-------------------|
| — HVDC            | — Buswork              | 102 Circuit Breaker             | T1 Transformer Banks             | Auto-Trans. with Tertiary | V Voltage Transformer | Auto Earth Switch |
| — 220 kV AC       | — 163— Disconnector    | 518 CB Auto Reclose             | Transformer Three Winding        | Voltage Regulator         | Capacitor V.T.        | Reactor           |
| — 110 kV AC       | — 163 NO Normally Open | 518 CB Normally Open            | On Load Tap Change               | (C) Condenser             | — Syncro. V.T.        | Capacitor         |
| — 50/66 kV AC     | (1) Generation         | * Limited C.B.s (No Protection) | Transformer Three Winding (OLTC) | ● Synchronising Point     | — Syncro. Cap. V.T.   | Harmonic Filter   |
| ① Circuit Numbers | (G) Local Generation   |                                 |                                  |                           |                       |                   |

**Key For Colour Version Only**

42 Equipment under Transpower operational control

42 Equipment not under Transpower operational control

DRAWN I. D. McKay 3/88  
 CHECKED D. G. Renner 4/88  
 REC. ISSUE D. G. Renner 5/88  
 APP. ISSUE C. P. Bull 5/88  
 DATE OF CURRENT ISSUE 9/06



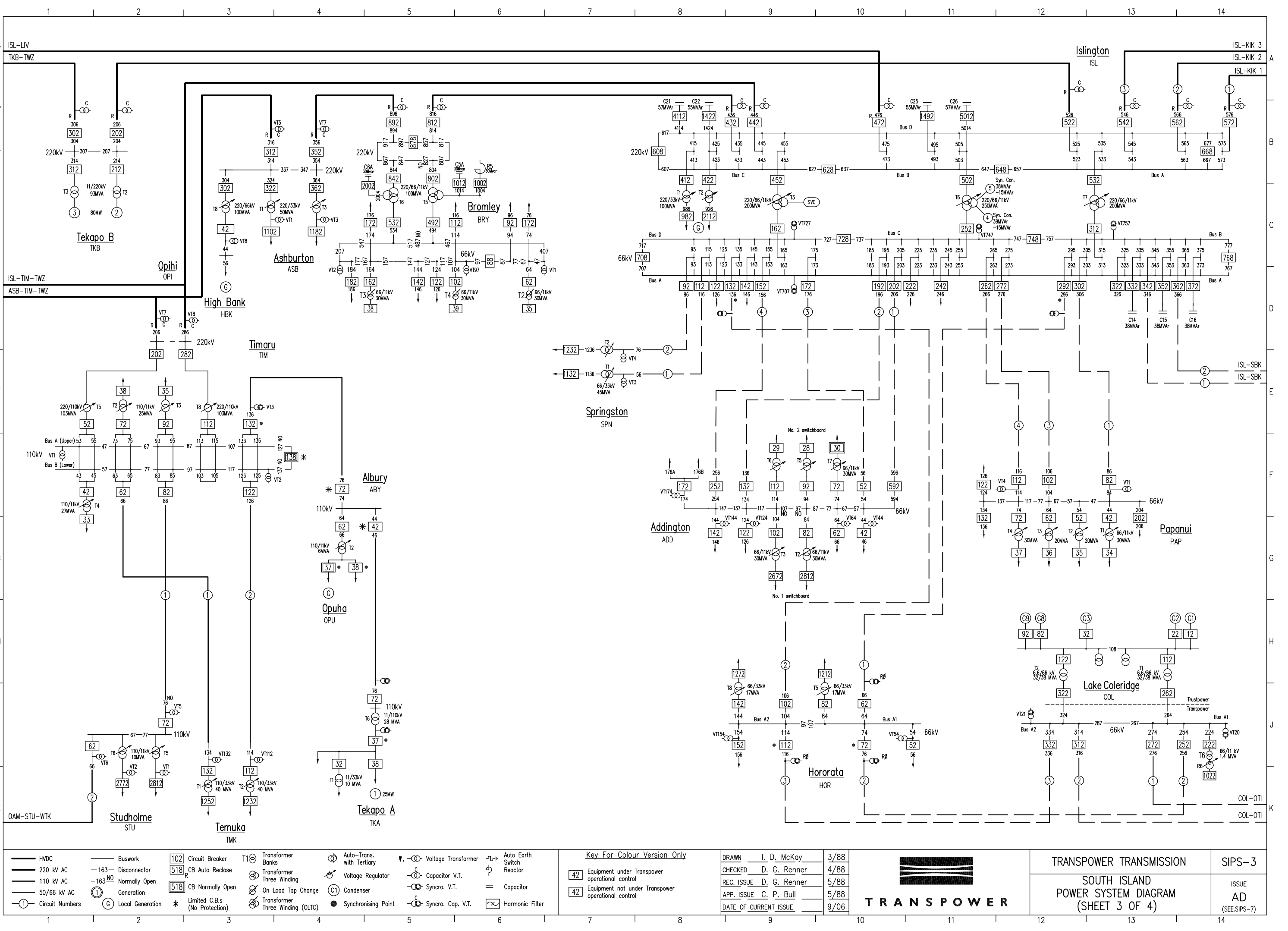
TRANSPOWER TRANSMISSION SIPS-2

SOUTH ISLAND POWER SYSTEM DIAGRAM (SHEET 2 OF 4)

ISSUE AD (SEE SIPS-7)

A2

COPYRIGHT © TRANSPOWER NEW ZEALAND LIMITED 1993 (Note: The year stated would be the year that the drawing was produced. Under Copyright Law, any Copyright expires after 50 years from this date.) UNAUTHORISED REPRODUCTION PROHIBITED  
 ISSUE A2 AP. C

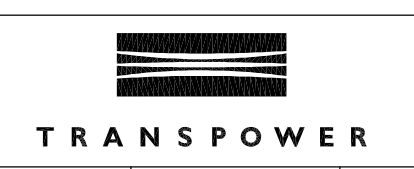


— HVDC	— Buswork	102 Circuit Breaker	T1 Transformer Banks	Auto-Trans. with Tertiary	V Voltage Transformer	Auto Earth Switch Reactor
— 220 kV AC	— 163— Disconnector	518 CB Auto Reclose	Transformer Three Winding	Voltage Regulator	Capacitor V.T.	Capacitor
— 110 kV AC	— 163 NO Normally Open	518 CB Normally Open	On Load Tap Change	(C) Condenser	— Syncro. V.T.	—
— 50/66 kV AC	(1) Generation	* Limited C.B.s (No Protection)	Transformer Three Winding (OLTC)	● Synchronising Point	— Syncro. Cap. V.T.	—
(1) Circuit Numbers	(G) Local Generation				—	—

**Key For Colour Version Only**

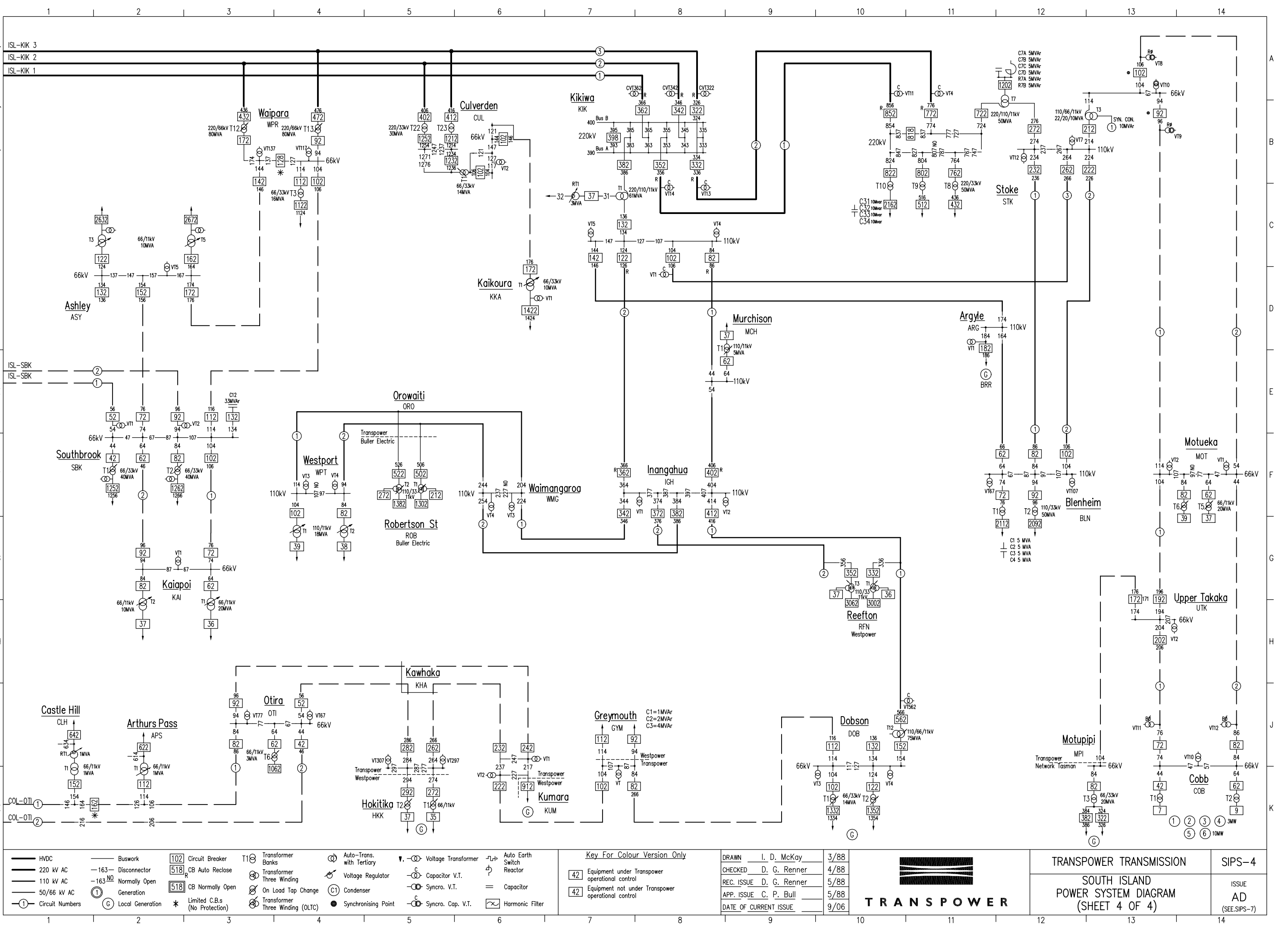
42	Equipment under Transpower operational control
42	Equipment not under Transpower operational control

DRAWN	I. D. McKay	3/88
CHECKED	D. G. Renner	4/88
REC. ISSUE	D. G. Renner	5/88
APP. ISSUE	C. P. Bull	5/88
DATE OF CURRENT ISSUE		9/06



TRANSPOWER TRANSMISSION	SIPS-3
SOUTH ISLAND POWER SYSTEM DIAGRAM (SHEET 3 OF 4)	
ISSUE AD	(SEE SIPS-7)

Copyright © Transpower New Zealand Limited 1993. All rights reserved. Unauthorised reproduction prohibited. (Note: The year stated would be the year that the drawing was produced. Under Copyright Law, any Copyright expires after 50 years from this date.)

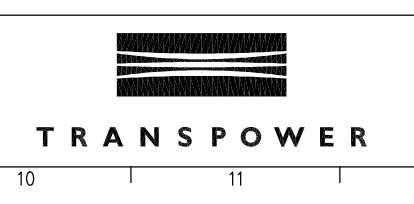


— HVDC	— Buswork	102 Circuit Breaker	T1 Transformer Banks	Auto-Trans. with Tertiary	V Voltage Transformer	Auto Earth Switch
— 220 kV AC	— 163 Disconnector	518 CB Auto Reclose	Transformer Three Winding	Voltage Regulator	Capacitor V.T.	Reactor
— 110 kV AC	— 163 NO Normally Open	518 CB Normally Open	On Load Tap Change	(C) Condenser	— Syncro. V.T.	Capacitor
— 50/66 kV AC	(1) Generation	* Limited C.B.s (No Protection)	Transformer Three Winding (OLTC)	● Synchronising Point	— Syncro. Cap. V.T.	Harmonic Filter
① Circuit Numbers	(G) Local Generation					

**Key For Colour Version Only**

42	Equipment under Transpower operational control
42	Equipment not under Transpower operational control

DRAWN	I. D. McKay	3/88
CHECKED	D. G. Renner	4/88
REC. ISSUE	D. G. Renner	5/88
APP. ISSUE	C. P. Bull	5/88
DATE OF CURRENT ISSUE		9/06



TRANSPOWER TRANSMISSION	SIPS-4
SOUTH ISLAND POWER SYSTEM DIAGRAM (SHEET 4 OF 4)	ISSUE AD (SEE SIPS-7)