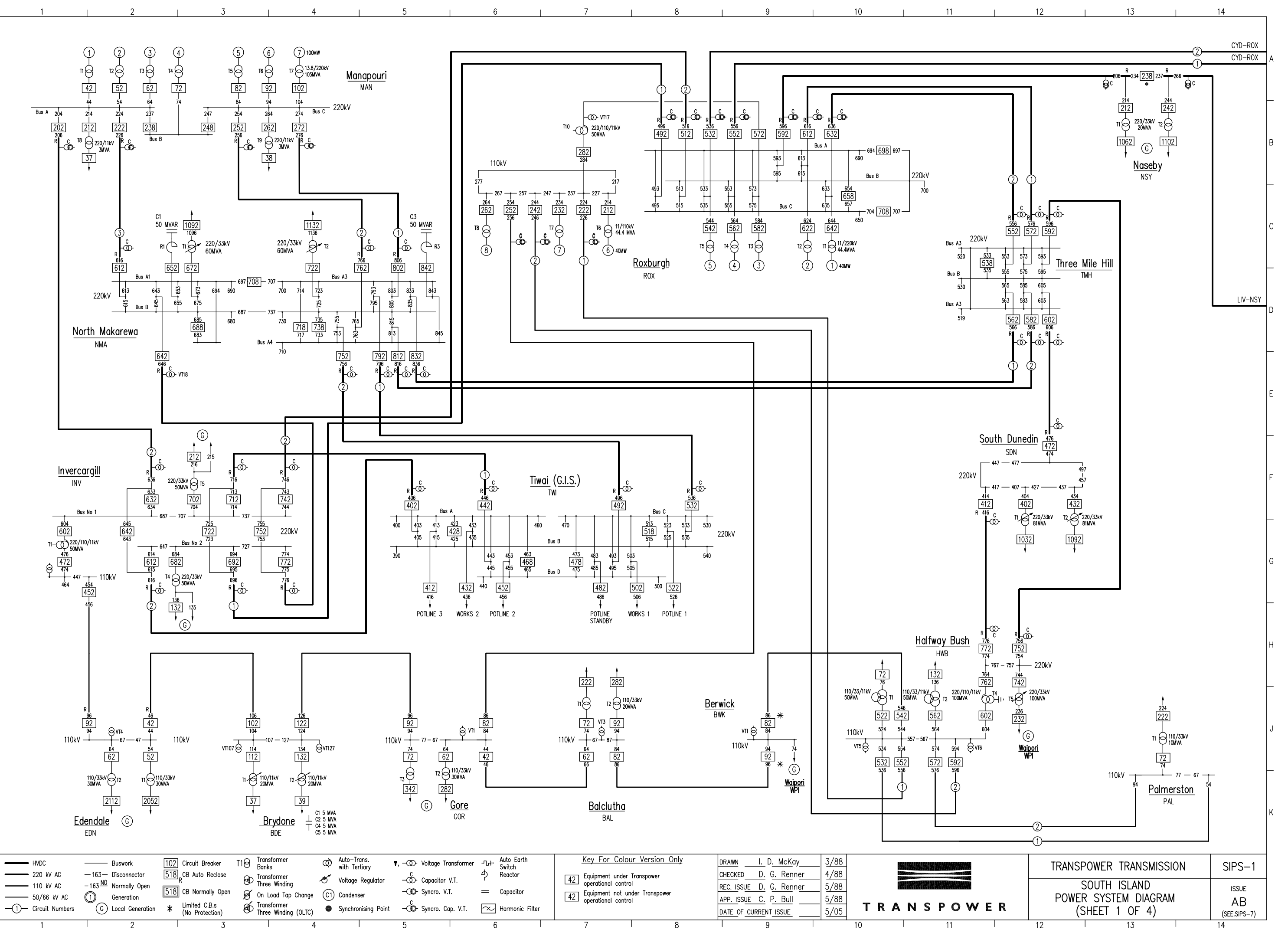


COPYRIGHT © TRANSPOWER NEW ZEALAND LIMITED 1993 (Note: The year stated would be the year that the drawing was produced. Under Copyright Law, any Copyright expires after 50 years from this date.) UNAUTHORISED REPRODUCTION PROHIBITED
 ISSUE A2 AP. C

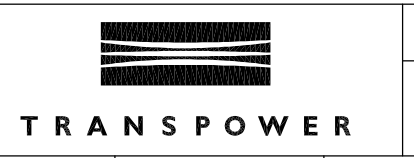


| | | | | |
|-----------------|-----------------------|-------------------------------|----------------------------------|---------------------------|
| HVDC | Buswork | 102 Circuit Breaker | T1 Transformer Banks | Auto-Trans. with Tertiary |
| 220 kV AC | -163- Disconnector | 518 CB Auto Reclose | Transformer Three Winding | Voltage Regulator |
| 110 kV AC | -163 NO Normally Open | 518 CB Normally Open | On Load Tap Change | Condenser |
| 50/66 kV AC | Generation | Limited C.B.s (No Protection) | Transformer Three Winding (OLTC) | Synchronising Point |
| Circuit Numbers | Local Generation | Limited C.B.s (No Protection) | Synchronising Point | Syncro. Cap. V.T. |
| | | | Auto Earth Switch Reactor | Capacitor |
| | | | Harmonic Filter | |

Key For Colour Version Only

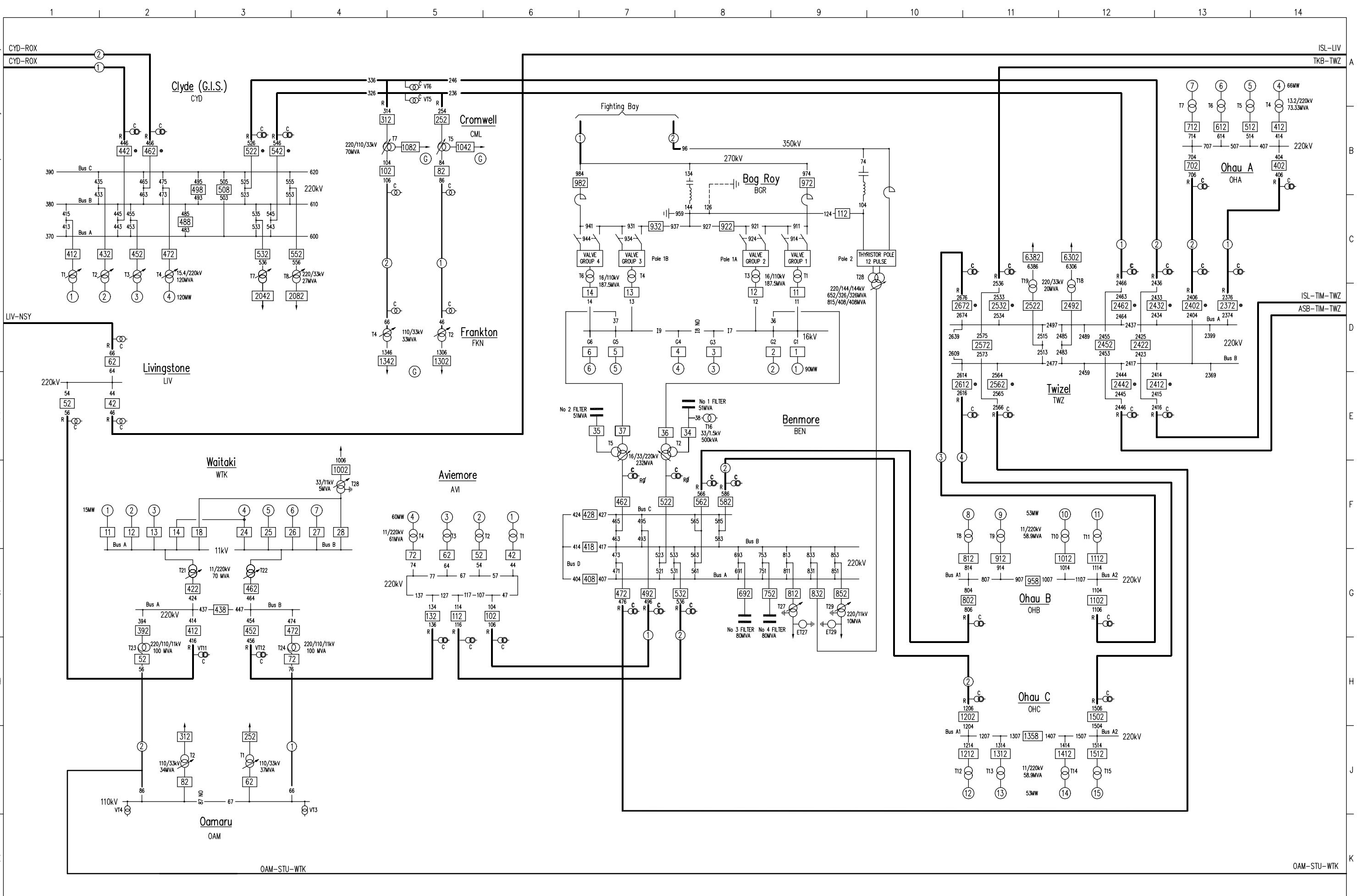
| |
|--|
| Equipment under Transpower operational control |
| Equipment not under Transpower operational control |

| | | |
|-----------------------|--------------|------|
| DRAWN | I. D. McKay | 3/88 |
| CHECKED | D. G. Renner | 4/88 |
| REC. ISSUE | D. G. Renner | 5/88 |
| APP. ISSUE | C. P. Bull | 5/88 |
| DATE OF CURRENT ISSUE | | 5/05 |



| | |
|--|--------------|
| TRANSPOWER TRANSMISSION | SIPS-1 |
| SOUTH ISLAND POWER SYSTEM DIAGRAM (SHEET 1 OF 4) | |
| ISSUE AB | (SEE SIPS-7) |

COPYRIGHT (C) TRANSPOWER NEW ZEALAND LIMITED 1993 (Note: The year stated would be the year that the drawing was produced. Under Copyright Law, any Copyright expires after 50 years from this date.) UNAUTHORISED REPRODUCTION PROHIBITED
 ISSUE AP. C. A2

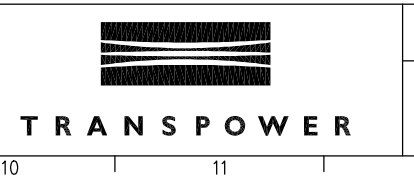


| | | | | | | |
|--|-----------------------|--|--|--|--|--|
| | Buswork | | | | | |
| | -163- Disconnector | | | | | |
| | -163 NO Normally Open | | | | | |
| | | | | | | |
| | | | | | | |

Key For Colour Version Only

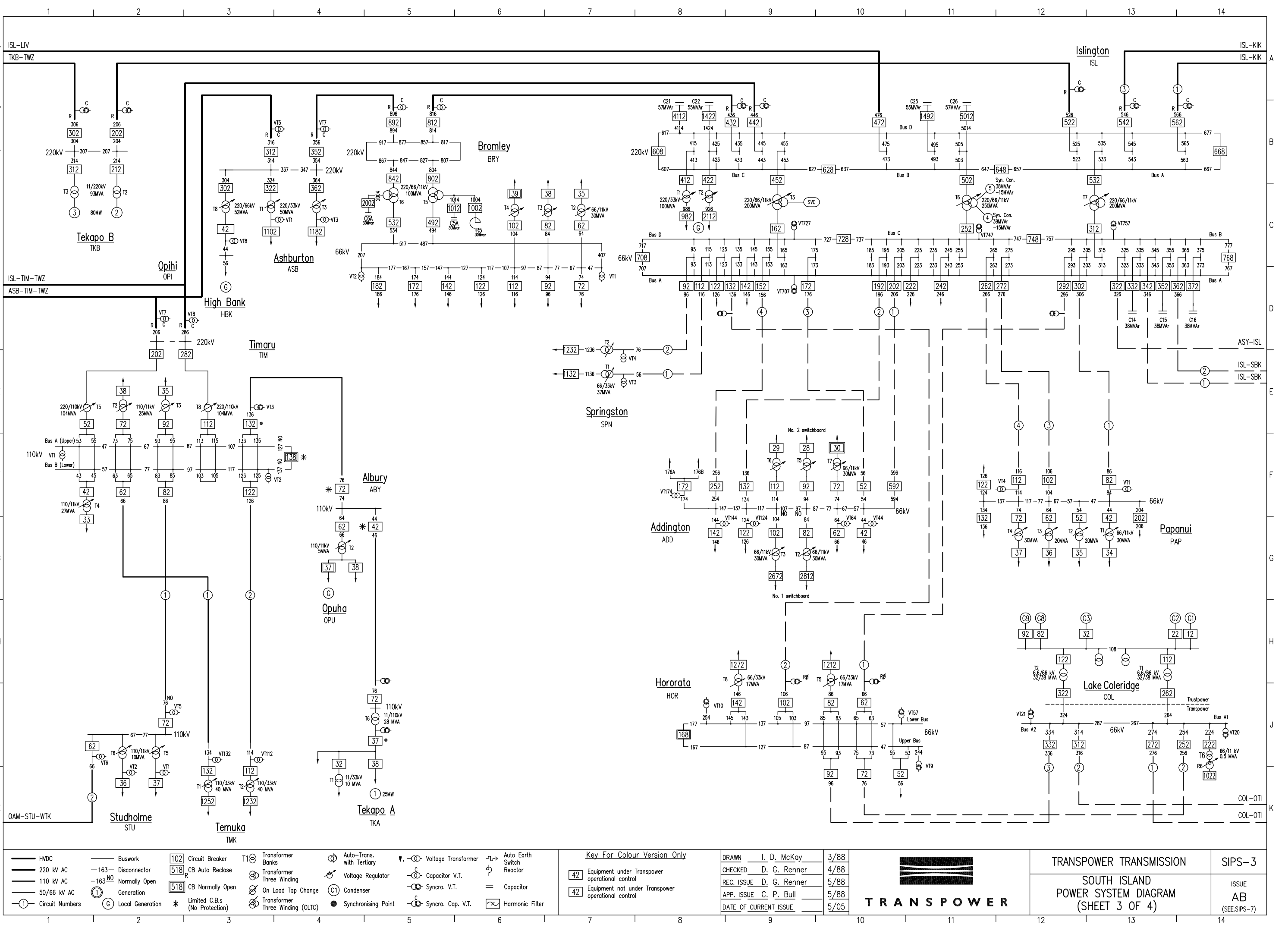
| | |
|--|--|
| | Equipment under Transpower operational control |
| | Equipment not under Transpower operational control |

| | | |
|-----------------------|--------------|------|
| DRAWN | I. D. McKay | 3/88 |
| CHECKED | D. G. Renner | 4/88 |
| REC. ISSUE | D. G. Renner | 5/88 |
| APP. ISSUE | C. P. Bull | 5/88 |
| DATE OF CURRENT ISSUE | | 5/05 |



| | |
|--|-----------------------|
| TRANSPOWER TRANSMISSION | SIPS-2 |
| SOUTH ISLAND POWER SYSTEM DIAGRAM (SHEET 2 OF 4) | ISSUE AB (SEE SIPS-7) |

COPYRIGHT © TRANSPOWER NEW ZEALAND LIMITED 1993 (Note: The year stated would be the year that the drawing was produced. Under Copyright Law, any Copyright expires after 50 years from this date.)
 ALL RIGHTS RESERVED.
 UNAUTHORISED REPRODUCTION PROHIBITED.
 ISSUE AB (SEE SIPS-7)
 AP. C.

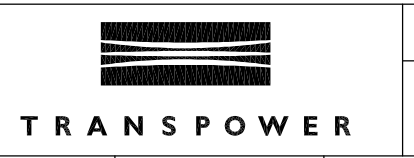


| | | | | | | |
|--|-----------------------|--|--|--|--|--|
| | Buswork | | | | | |
| | -163- Disconnector | | | | | |
| | -163 NO Normally Open | | | | | |
| | | | | | | |
| | | | | | | |

Key For Colour Version Only

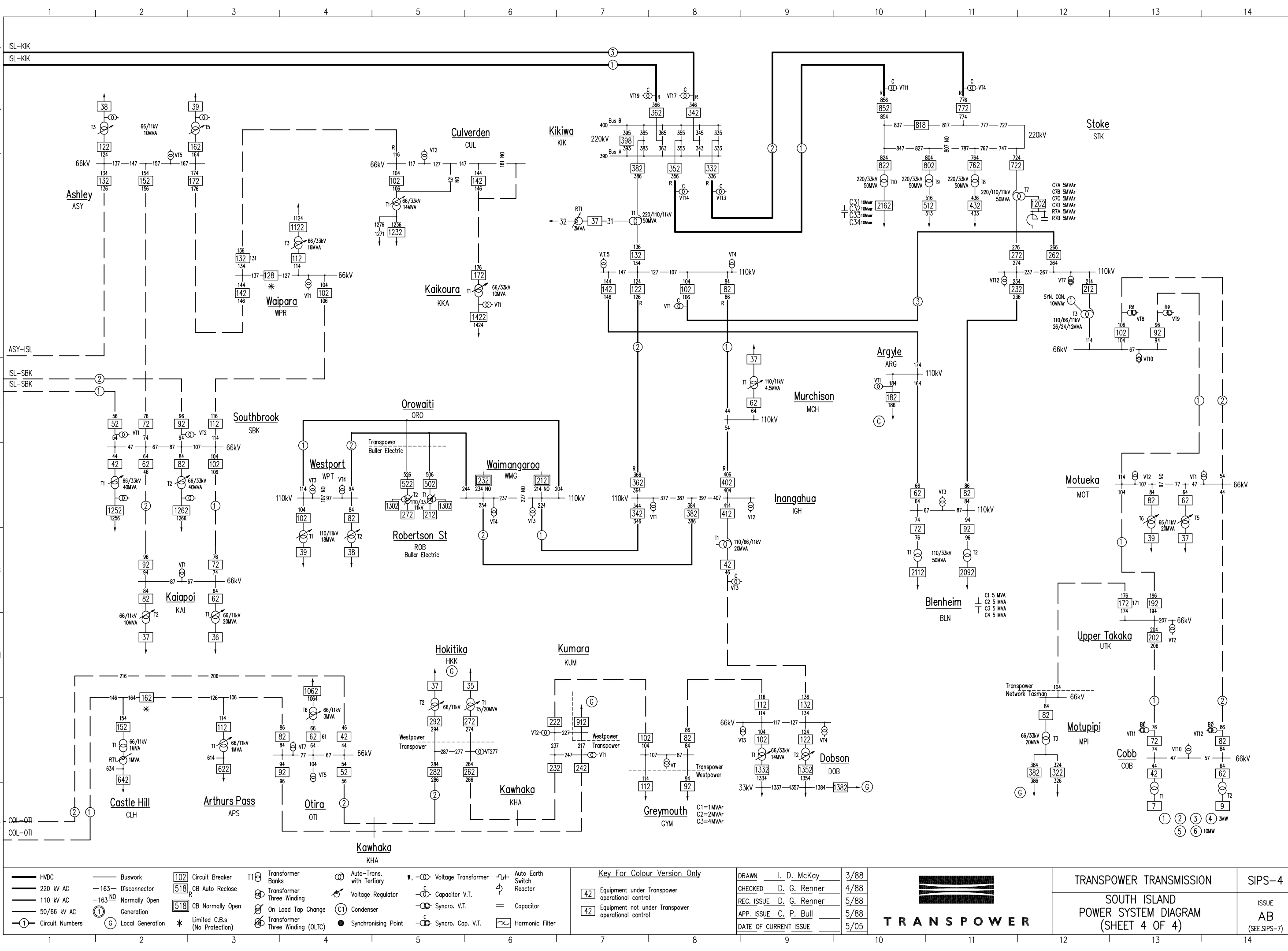
| | |
|--|--|
| | Equipment under Transpower operational control |
| | Equipment not under Transpower operational control |

| | | |
|-----------------------|--------------|------|
| DRAWN | I. D. McKay | 3/88 |
| CHECKED | D. G. Renner | 4/88 |
| REC. ISSUE | D. G. Renner | 5/88 |
| APP. ISSUE | C. P. Bull | 5/88 |
| DATE OF CURRENT ISSUE | | 5/05 |



| | |
|--|--------|
| TRANSPOWER TRANSMISSION | SIPS-3 |
| SOUTH ISLAND POWER SYSTEM DIAGRAM (SHEET 3 OF 4) | |
| ISSUE AB (SEE SIPS-7) | |

COPYRIGHT © TRANSPOWER NEW ZEALAND LIMITED 1993 (Note: The year stated would be the year that the drawing was produced. Under Copyright Law, any Copyright expires after 50 years from this date.) UNAUTHORISED REPRODUCTION PROHIBITED
 ISSUE A2 AP. C



- | | | | | | | |
|-------------------|------------------------|---------------------------------|----------------------------------|---------------------------|-----------------------|-------------------|
| — HVDC | — Buswork | 102 Circuit Breaker | T1 Transformer Banks | Auto-Trans. with Tertiary | V Voltage Transformer | Auto Earth Switch |
| — 220 kV AC | — 163 — Disconnector | 518 CB Auto Reclose | Transformer Three Winding | Voltage Regulator | Capacitor V.T. | Reactor |
| — 110 kV AC | — 163 NO Normally Open | 518 CB Normally Open | On Load Tap Change | (C) Condenser | — Syncro. V.T. | Capacitor |
| — 50/66 kV AC | ① Generation | * Limited C.B.s (No Protection) | Transformer Three Winding (OLTC) | ● Synchronising Point | — Syncro. Cap. V.T. | Harmonic Filter |
| ① Circuit Numbers | ⊙ Local Generation | | | | | |

Key For Colour Version Only

42 Equipment under Transpower operational control

42 Equipment not under Transpower operational control

DRAWN I. D. McKay 3/88
 CHECKED D. G. Renner 4/88
 REC. ISSUE D. G. Renner 5/88
 APP. ISSUE C. P. Bull 5/88
 DATE OF CURRENT ISSUE 5/05



TRANSPOWER TRANSMISSION
 SOUTH ISLAND
 POWER SYSTEM DIAGRAM
 (SHEET 4 OF 4)

SIPS-4

ISSUE AB (SEE SIPS-7)